

# STONE PLANTER 80x65x40

By Stefano Giovannoni & Elisa Gargan

As its name suggests it appears to be found in nature itself, creating synergism between the natural and the artificial landscape. Stone can fit perfectly into any environment, transmitting its own particular elegance, thanks to its material, as well as its original shape.

View online: <https://www.vondom.com/products/55008A>



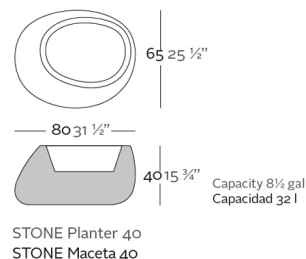
## Features

### Description

Pot made of polyethylene resin by rotational moulding. 100% Recyclable. Item suitable for indoor and outdoor use. Available in different finishes.

### Weight

8 Kg



## Finishes

### SELF-WATERING

Ref. 55008R

Self-watering system included in all planters except those with basic finish

### BASIC

Ref. 55008A

Matt Polyethylene

### LACQUERED

Ref. 55008F

Lacquered Polyethylene

### LIGHT

Ref. 55008W

White internally lit unit with LED technology. Available only in matte ice white finish.

### RGBW LED

Ref. 55008L

Unit with internal lighting with RGBW LED technology and remote control unit for switching colors. Available only in matte ice white finish. Remote control included.

### RGBW LED DMX

Ref. 55008D

Unit with internal lighting with RGBW LED technology and remote control unit for switching colors. Also controlled by DMX-1024 (wireless), enabling communication between one or more products simultaneously via the DMX transmitter (not included).

### RGBW LED BATTERY

Ref. 55008DY

Unit with internal lighting with battery-powered RGBW LED technology. Includes charger and remote control for switching colors and charger. Available only in matte ice white finish.

# STONE PLANTER 60x46x70

By Stefano Giovannoni & Elisa Gargan



As its name suggests it appears to be found in nature itself, creating synergism between the natural and the artificial landscape. Stone can fit perfectly into any environment, transmitting its own particular elegance, thanks to its material, as well as its original shape.

View online: <https://www.vondom.com/products/55009A>

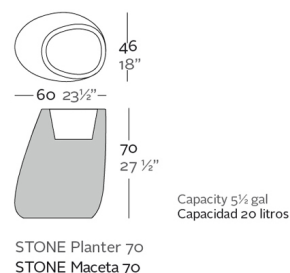
## Features

### Description

Pot made of polyethylene resin by rotational moulding. 100% Recyclable. Item suitable for indoor and outdoor use. Available in different finishes.

### Weight

8 Kg



## Finishes

### SELF-WATERING

Ref. 55009R

Self-watering system included in all planters except those with basic finish

### BASIC

Ref. 55009A

Matt Polyethylene

### LACQUERED

Ref. 55009F

Lacquered Polyethylene

### LIGHT

Ref. 55009W

White internally lit unit with LED technology. Available only in matte ice white finish.

### RGBW LED

Ref. 55009L

Unit with internal lighting with RGBW LED technology and remote control unit for switching colors. Available only in matte ice white finish. Remote control included.

### RGBW LED DMX

Ref. 55009D

Unit with internal lighting with RGBW LED technology and remote control unit for switching colors. Also controlled by DMX-1024 (wireless), enabling communication between one or more products simultaneously via the DMX transmitter (not included).

### RGBW LED BATTERY

Ref. 55009DY

Unit with internal lighting with battery-powered RGBW LED technology. Includes charger and remote control for switching colors and charger. Available only in matte ice white finish.

# STONE PLANTER 86x64x100

By Stefano Giovannoni & Elisa Gargan



As its name suggests it appears to be found in nature itself, creating synergism between the natural and the artificial landscape. Stone can fit perfectly into any environment, transmitting its own particular elegance, thanks to its material, as well as its original shape.

View online: <https://www.vondom.com/products/55010A>

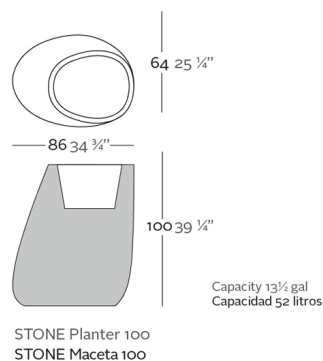
## Features

### Description

Pot made of polyethylene resin by rotational moulding. 100% Recyclable. Item suitable for indoor and outdoor use. Available in different finishes.

### Weight

16 Kg



## Finishes

### SELF-WATERING

Ref. 55010R

Self-watering system included in all planters except those with basic finish

### BASIC

Ref. 55010A

Matt Polyethylene

### LACQUERED

Ref. 55010F

Lacquered Polyethylene

### LIGHT

Ref. 55010W

White internally lit unit with LED technology. Available only in matte ice white finish.

### RGBW LED

Ref. 55010L

Unit with internal lighting with RGBW LED technology and remote control unit for switching colors. Available only in matte ice white finish. Remote control included.

### RGBW LED DMX

Ref. 55010D

Unit with internal lighting with RGBW LED technology and remote control unit for switching colors. Also controlled by DMX-1024 (wireless), enabling communication between one or more products simultaneously via the DMX transmitter (not included).

### RGBW LED BATTERY

Ref. 55010DY

Unit with internal lighting with battery-powered RGBW LED technology. Includes charger and remote control for switching colors and charger. Available only in matte ice white finish.

# STONE PLANTER 105x84x120

By Stefano Giovannoni & Elisa Gargan



As its name suggests it appears to be found in nature itself, creating synergism between the natural and the artificial landscape. Stone can fit perfectly into any environment, transmitting its own particular elegance, thanks to its material, as well as its original shape.

View online: <https://www.vondom.com/products/55011A>

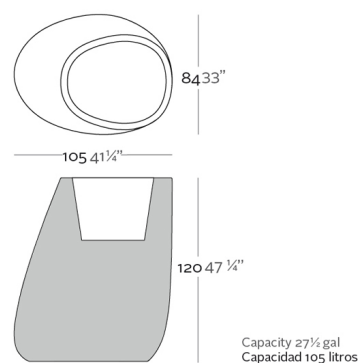
## Features

### Description

Pot made of polyethylene resin by rotational moulding. 100% Recyclable. Item suitable for indoor and outdoor use. Available in different finishes.

### Weight

25 Kg



## Finishes

### SELF-WATERING

Ref. 55011R

Self-watering system included in all planters except those with basic finish

### BASIC

Ref. 55011A

Matt Polyethylene

### LACQUERED

Ref. 55011F

Lacquered Polyethylene

### LIGHT

Ref. 55011W

### RGBW LED

Ref. 55011L

Unit with internal lighting with RGBW LED technology and remote control unit for switching colors. Available only in matte ice white finish. Remote control included.

### RGBW LED DMX

Ref. 55011D

Unit with internal lighting with RGBW LED technology and remote control unit for switching colors. Also controlLED by DMX-1024 (wireless), enabling communication between one or more products simultaneously via the DMX transmitter (not included).

### RGBW LED BATTERY

Ref. 55011DY

Unit with internal lighting with battery-powered RGBW LED technology. Includes charger and remote control for switching colors and charger. Available only in matte ice white finish.

# STONE PLANTER 140x105x140

By Stefano Giovannoni & Elisa Gargan



As its name suggests it appears to be found in nature itself, creating synergism between the natural and the artificial landscape. Stone can fit perfectly into any environment, transmitting its own particular elegance, thanks to its material, as well as its original shape.

View online: <https://www.vondom.com/products/55012A>

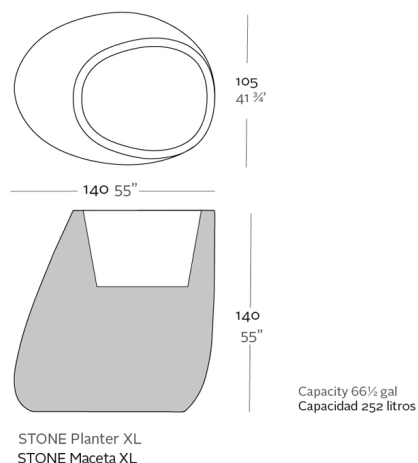
## Features

### Description

Pot made of polyethylene resin by rotational moulding. 100% Recyclable. Item suitable for indoor and outdoor use. Available in different finishes.

### Weight

42 Kg



## Finishes

### SELF-WATERING

Ref. 55012R

Self-watering system included in all planters except those with basic finish

### BASIC

Ref. 55012A

Matt Polyethylene

### LACQUERED

Ref. 55012F

Lacquered Polyethylene

### RGBW LED

Ref. 55012L

Unit with internal lighting with RGBW LED technology and remote control unit for switching colors. Available only in matte ice white finish. Remote control included.

### RGBW LED DMX

Ref. 55012D

Unit with internal lighting with RGBW LED technology and remote control unit for switching colors. Also controlLED by DMX-1024 (wireless), enabling communication between one or more products simultaneously via the DMX transmitter (not included).

### RGBW LED BATTERY

Ref. 55012DY

Unit with internal lighting with battery-powered RGBW LED

COLOR	BASIC	LACQUERED / LACADO	LUZ	AUTORRIEGO
ICE	<input type="checkbox"/>	<input type="checkbox"/>	<input type="checkbox"/>	<input type="checkbox"/>
WHITE	<input type="checkbox"/>	<input type="checkbox"/>	<input type="checkbox"/>	<input type="checkbox"/>
BLACK	<input type="checkbox"/>	<input type="checkbox"/>	<input type="checkbox"/>	<input type="checkbox"/>
BRONZE	<input type="checkbox"/>	<input type="checkbox"/>	<input type="checkbox"/>	<input type="checkbox"/>
STEEL	<input type="checkbox"/>	<input type="checkbox"/>	<input type="checkbox"/>	<input type="checkbox"/>
ANTHRACITE	<input type="checkbox"/>	<input type="checkbox"/>	<input type="checkbox"/>	<input type="checkbox"/>
RED	<input type="checkbox"/>	<input type="checkbox"/>	<input type="checkbox"/>	<input type="checkbox"/>
PISTACHIO	<input type="checkbox"/>	<input type="checkbox"/>	<input type="checkbox"/>	<input type="checkbox"/>
ORANGE	<input type="checkbox"/>	<input type="checkbox"/>	<input type="checkbox"/>	<input type="checkbox"/>
KHAKI	<input type="checkbox"/>	<input type="checkbox"/>	<input type="checkbox"/>	<input type="checkbox"/>
NAVY	<input type="checkbox"/>	<input type="checkbox"/>	<input type="checkbox"/>	<input type="checkbox"/>
PLUM	<input type="checkbox"/>	<input type="checkbox"/>	<input type="checkbox"/>	<input type="checkbox"/>
TAUPE	<input type="checkbox"/>	<input type="checkbox"/>	<input type="checkbox"/>	<input type="checkbox"/>
ECRU	<input type="checkbox"/>	<input type="checkbox"/>	<input type="checkbox"/>	<input type="checkbox"/>
BEIGE	<input type="checkbox"/>	<input type="checkbox"/>	<input type="checkbox"/>	<input type="checkbox"/>
CHAMPAGNE	<input type="checkbox"/>	<input type="checkbox"/>	<input type="checkbox"/>	<input type="checkbox"/>

