

Jonty

Design Simon Pengelly



Jonty is a stacking chair, high stool and table collection, light, robust, well thought through and intended primarily for cafes, restaurants and other hospitality areas.

Frames are natural solid beech or can be stained to match the seats and backs, which are injection moulded polypropylene and available in five colours. The combination of natural timber and coloured plastic is interesting, elegant and practical and Jonty possesses a retrospective yet subtle aesthetic with excellent comfort.

The complementary Jonty tables are available with square or rectangular tops and in five sizes. Exposed plywood edges, are clear lacquered, having a subtle cut-back convex profile. Tops are beech veneer or white laminate as standard. As with the chairs, frames and top edges can be stained.



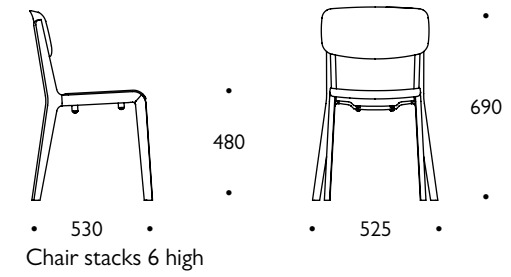
**Design
Guild Mark**

Design Guild Mark Award 2013

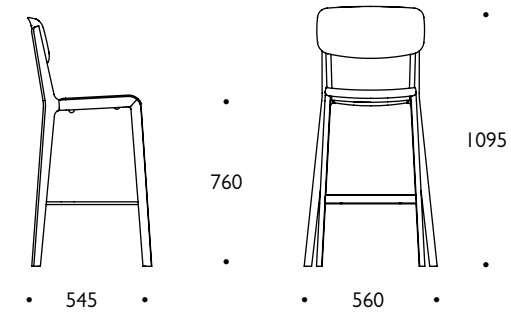


Jonty chair and stool

Model	Description	Weight
JT/B	Beech stacking chair	3.75kg
JT/B/S	Beech stacking chair, stained frame BS EN 15373:2007 Level 2, strength and stability for contract seating	3.75kg



JT/B/STL	Beech stool stainless steel footrest	4.75kg
JT/B/STL/S	Beech stool stainless steel footrest, stained frame	4.75kg



/S + stain ref. No. ○ white 1 ● black 2
Other stain colours available. Set up costs apply, POA.

/PC + plastic colour ref. No. ● red 1 ● olive green 2 ● grey 3 ○ white 4 ● light blue 5
(seats and backs) RAL 3002 RAL D2 100 60 20 RAL 7022 RAL 9016 RAL D2 180 80 05

All dimensions in mm

Ordering Guide

JT/B/PC2 = Beech natural frame with olive green plastic seat and back

JT/B/ST/STL/S1/PCI = Beech stool white stained frame with red plastic seat and back

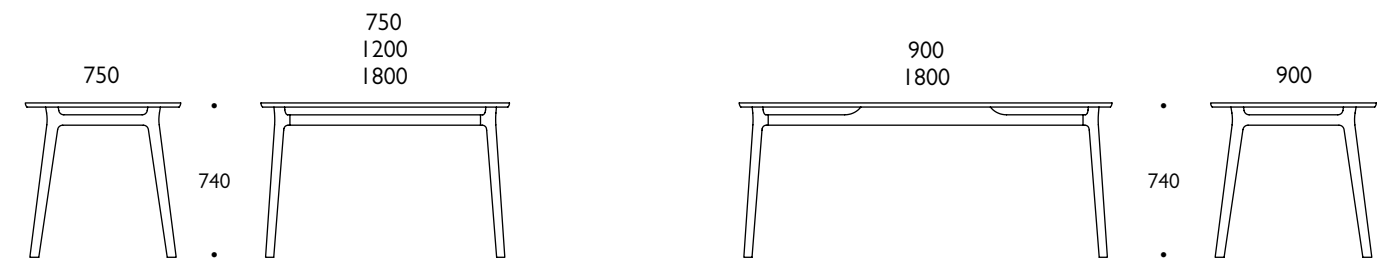
Delivery and Installation

Please see delivery and installation charges on page 48

Jonty tables



Model	Description	Top size	No of legs
JT/B/75SQ	Beech 75cm SQ, 4 leg	750mm SQ	4
JT/B/90SQ	Beech 90cm SQ, 4 leg	900mm SQ	4
JT/B/120/75	Beech 120x75cm 4 leg	1200 x 750mm	4
JT/B/180/75	Beech 180x75cm 4 leg	1800 x 750mm	4
JT/B/180/90	Beech 180x90cm 4 leg	1800x900mm	4



/S, or /SF, or /STP + stain ref. No.

○ white 1 ● black 2

Other stain colours available. Set up costs apply, POA.



All dimensions in mm

Laminate Egger UK, plain colours white as standard.
Other Laminates POA

Ordering Guide

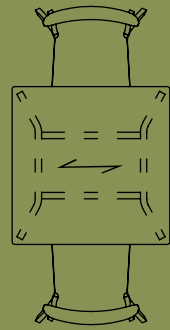
JT/B/180/75/L = Natural beech frame, 180 x 75cm table with specified laminate top, plywood edge
JT/B/90SQ/BV/S2 = Black stained beech top and frame, 90cm square

Delivery and Installation

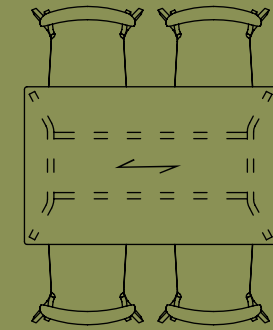
Please see delivery and installation charges on page 48



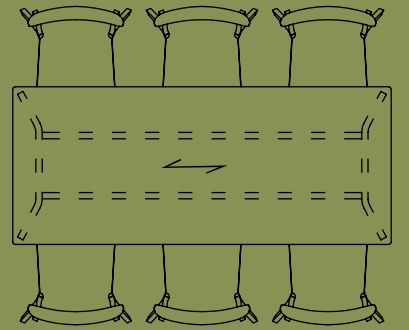
Jonty configurations



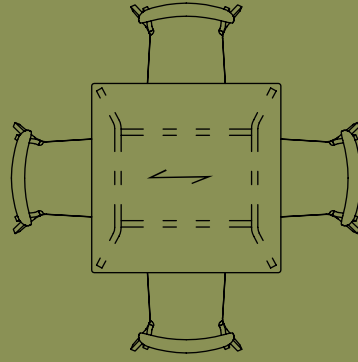
750 x 750 seats 2



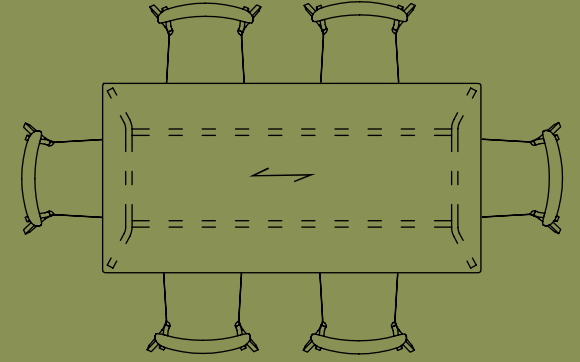
1200 x 750 seats 4



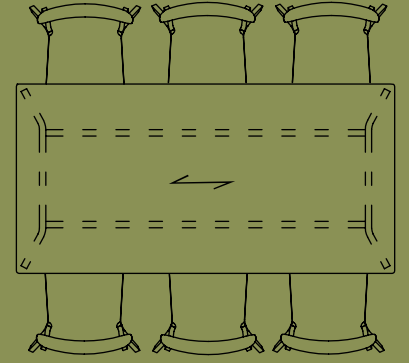
1800 x 750 seats 6



900 x 900 seats 4



1800 x 900 seats 6



1800 x 900 seats 6



← Grain direction

All dimensions in mm