

Vineyard planter

by Ramón Esteve

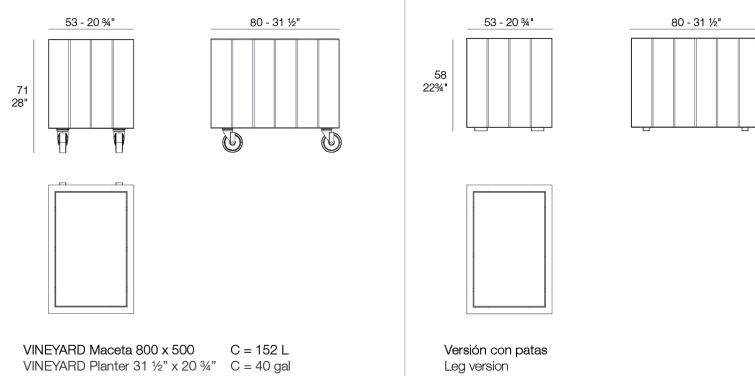
Vineyard Collection, by Ramon Esteve, is an aluminium and wooden outdoor furniture collection with a rustic and warm style.



Info

Description

Weight: 43.7 Kg



Finishes

aluminium

ALUMINIUM

Ref. 54508



crema



castoro fiber



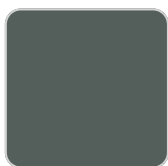
bronze

Lacquered aluminium profile.

panel/top

Solid Core

Ref. 54508PAN



modo green



oak1

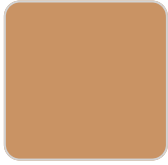


oak2

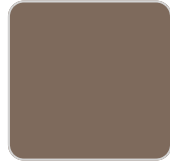
Teak

Ref. 54508PAN

VONDOM



natural teak



weathered teak

Ambients



Vineyard planter xl

by Ramón Esteve

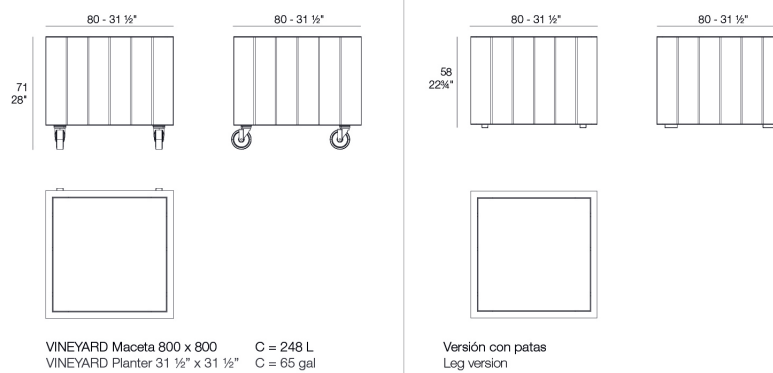
Vineyard Collection, by Ramon Esteve, is an aluminium and wooden outdoor furniture collection with a rustic and warm style.



Info

Description

Weight: 43.7 Kg



Finishes

aluminium

ALUMINIUM

Ref. 54509



crema



castoro fiber



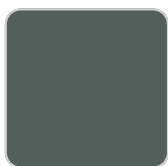
bronze

Lacquered aluminium profile.

panel/top

Solid Core

Ref. 54509PAN



modo green



oak1

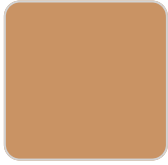


oak2

Teak

Ref. 54509PAN

VONDOM



natural teak



weathered teak

Ambients

