

## Quartz dining table ø59

by Ramón Esteve

The Quartz chairs and table collection, designed by Ramón Esteve for Vondom, is characterized by its **orthogonal geometry and triangular shaped profiles**. Due to the line of one of its vertexes this piece appears extremely light.



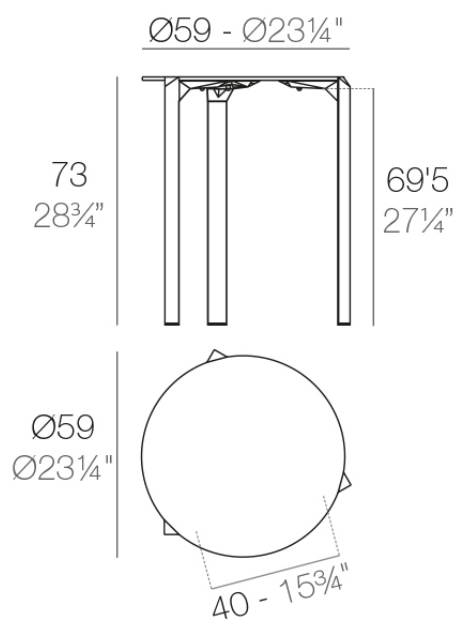
## Info

---

### Description

Made from polypropylene and reinforced with fiberglass manufactured by gas injection. Available in various colors. Suitable for indoor and outdoor use.

Weight: 5.1 Kg



QUARTZ Mesa Ø59  
QUARTZ Table Ø23 1/4"

## Finishes

---

### finishes

---

BASIC PP  
Ref. 54198



white



black



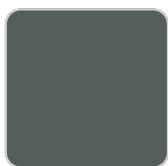
ecru

Available in various colors

### tableros

---

Solid Core  
Ref. VVAR02348



modo green



## Quartz dining table ø69

by Ramón Esteve

The Quartz chairs and table collection, designed by Ramón Esteve for Vondom, is characterized by its **orthogonal geometry and triangular shaped profiles**. Due to the line of one of its vertexes this piece appears extremely light.



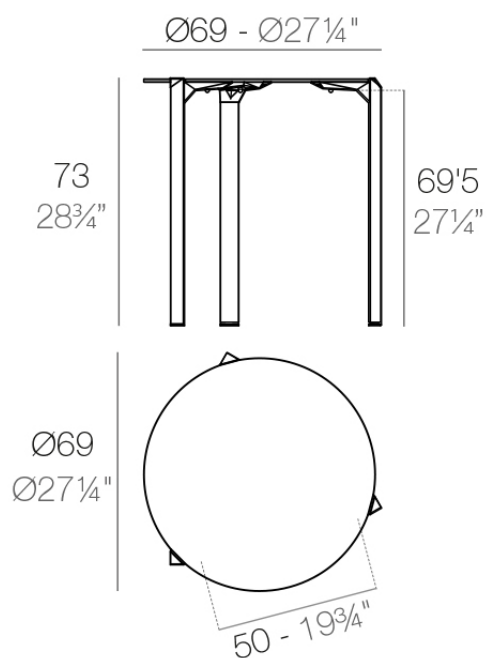
## Info

---

### Description

Made from polypropylene and reinforced with fiberglass manufactured by gas injection. Available in various colors. Suitable for indoor and outdoor use.

Weight: 6.53 Kg



QUARTZ Mesa  $\text{Ø}69$   
QUARTZ Table  $\text{Ø}27\frac{1}{4}"$

## Finishes

---

### finishes

---

BASIC PP  
Ref. 54199



white



black



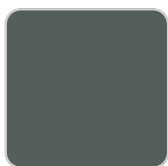
ecru

Available in various colors

### tableros

---

Solid Core  
Ref. VVAR02349



modo green





## Quartz dining table ø79

by Ramón Esteve

The Quartz chairs and table collection, designed by Ramón Esteve for Vondom, is characterized by its **orthogonal geometry and triangular shaped profiles**. Due to the line of one of its vertexes this piece appears extremely light.



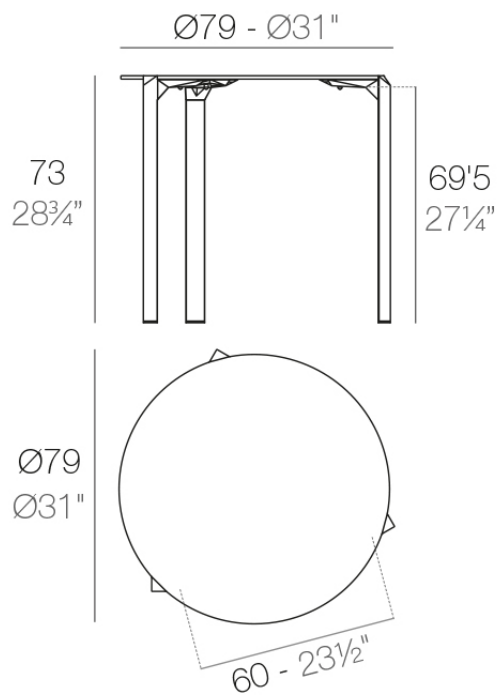
## Info

---

### Description

Made from polypropylene and reinforced with fiberglass manufactured by gas injection. Available in various colors. Suitable for indoor and outdoor use.

Weight: 8.31 Kg



QUARTZ Mesa Ø79  
QUARTZ Table Ø31"

## Finishes

---

### finishes

---

BASIC PP  
Ref. 54200



white



black



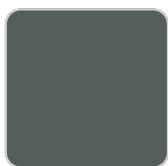
ecru

Available in various colors

### tableros

---

Solid Core  
Ref. VVAR02350



modo green



## Quartz dining table ø79

by Ramón Esteve

The Quartz chairs and table collection, designed by Ramón Esteve for Vondom, is characterized by its **orthogonal geometry and triangular shaped profiles**. Due to the line of one of its vertexes this piece appears extremely light.

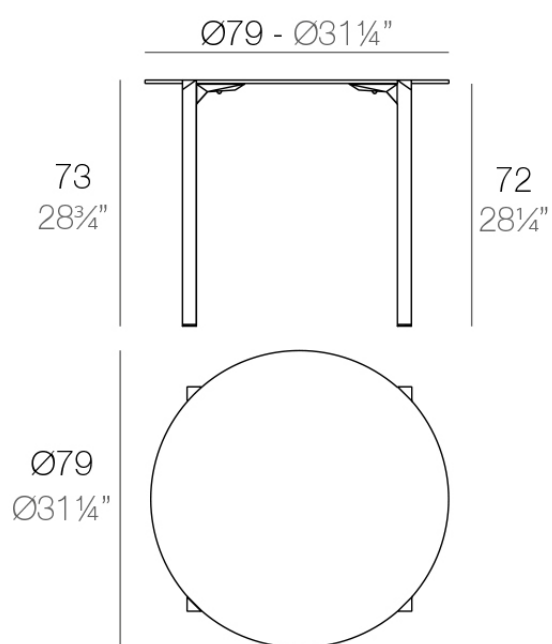


## Info

---

### Description

Weight: 9.7 Kg



QUARTZ Mesa  $\text{Ø}79$   
QUARTZ Table  $\text{Ø}31\frac{1}{4}"$

## Finishes

---

### finishes

---

BASIC PP  
Ref. 54218



white



black



ecru

Available in various colors





## Quartz dining table ø90

by Ramón Esteve

The Quartz chairs and table collection, designed by Ramón Esteve for Vondom, is characterized by its **orthogonal geometry and triangular shaped profiles**. Due to the line of one of its vertexes this piece appears extremely light.



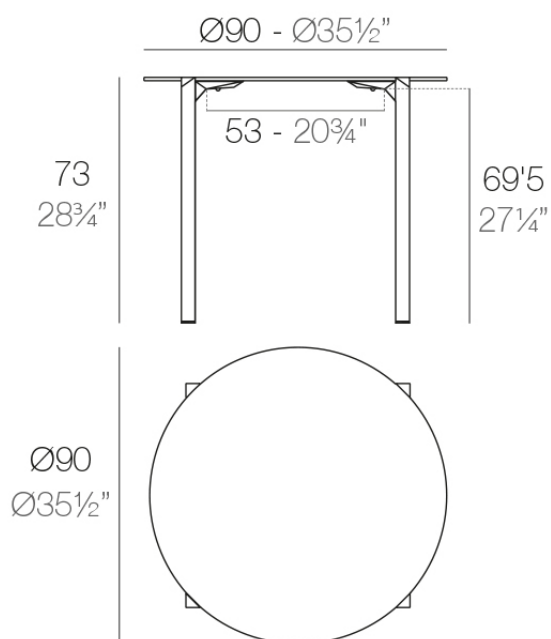
## Info

---

### Description

Made from polypropylene and reinforced with fiberglass manufactured by gas injection. Available in various colors. Suitable for indoor and outdoor use.

Weight: 10.8 Kg



QUARTZ Mesa Ø90  
QUARTZ Table Ø35 1/2"

## Finishes

---

### finishes

---

BASIC PP  
Ref. 54201



white



black



ecru

Available in various colors



## Quartz dining table ø100

by Ramón Esteve

The Quartz chairs and table collection, designed by Ramón Esteve for Vondom, is characterized by its **orthogonal geometry and triangular shaped profiles**. Due to the line of one of its vertexes this piece appears extremely light.



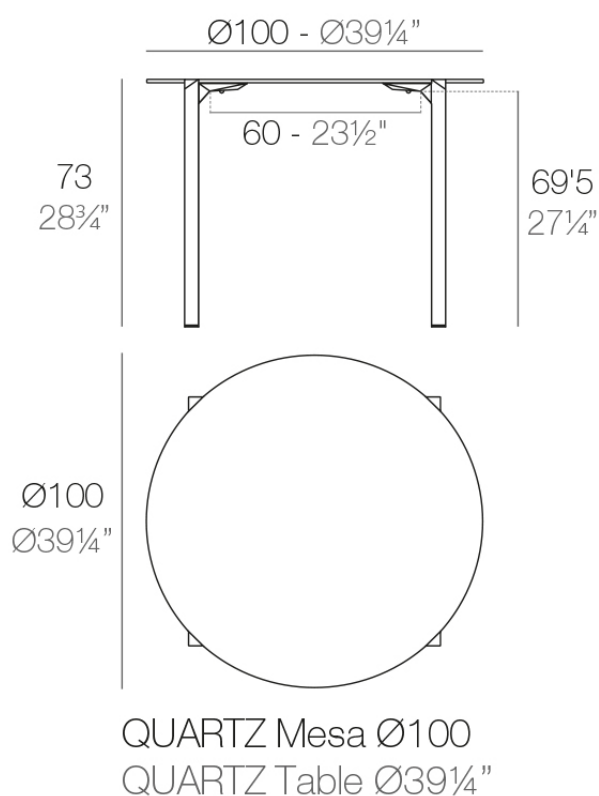
## Info

---

### Description

Made from polypropylene and reinforced with fiberglass manufactured by gas injection. Available in various colors. Suitable for indoor and outdoor use.

Weight: 13.06 Kg



## Finishes

---

### finishes

---

BASIC PP  
Ref. 54202



white



black



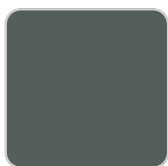
ecru

Available in various colors

### tableros

---

Solid Core  
Ref. VVAR02390



modo green



oak1



oak2





## Quartz dining table 59x59

by Ramón Esteve

The Quartz chairs and table collection, designed by Ramón Esteve for Vondom, is characterized by its **orthogonal geometry and triangular shaped profiles**. Due to the line of one of its vertexes this piece appears extremely light.



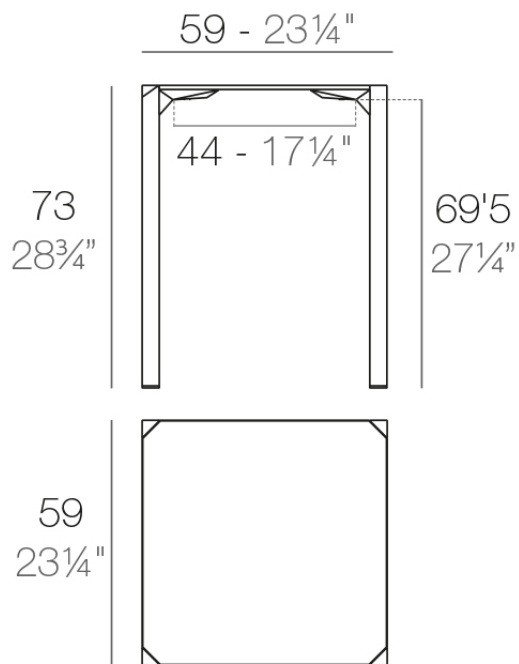
## Info

---

### Description

Made from polypropylene and reinforced with fiberglass manufactured by gas injection. Available in various colors. Suitable for indoor and outdoor use.

Weight: 0.78 Kg



QUARTZ Mesa 59 x 59

QUARTZ Table 23 1/4" x 23 1/4"

## Finishes

---

### finishes

---

BASIC PP  
Ref. 54203



white



black



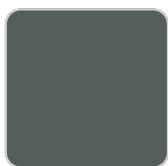
ecru

Available in various colors

### tableros

---

Solid Core  
Ref. VVAR02391



modo green



## Quartz dining table 69x69

by Ramón Esteve

The Quartz chairs and table collection, designed by Ramón Esteve for Vondom, is characterized by its **orthogonal geometry and triangular shaped profiles**. Due to the line of one of its vertexes this piece appears extremely light.



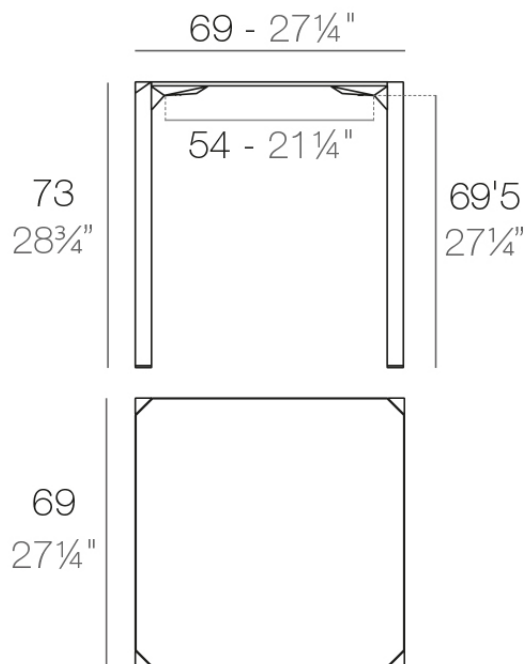
## Info

---

### Description

Made from polypropylene and reinforced with fiberglass manufactured by gas injection. Available in various colors. Suitable for indoor and outdoor use.

Weight: 8.51 Kg



QUARTZ Mesa 69 x 69  
QUARTZ Table 27 1/4" x 27 1/4"

## Finishes

---

### finishes

---

BASIC PP  
Ref. 54204



white



black



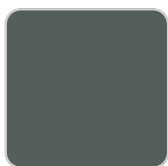
ecru

Available in various colors

### tableros

---

Solid Core  
Ref. VVAR02392



modo green





## Quartz dining table 79x79

by Ramón Esteve

The Quartz chairs and table collection, designed by Ramón Esteve for Vondom, is characterized by its **orthogonal geometry and triangular shaped profiles**. Due to the line of one of its vertexes this piece appears extremely light.



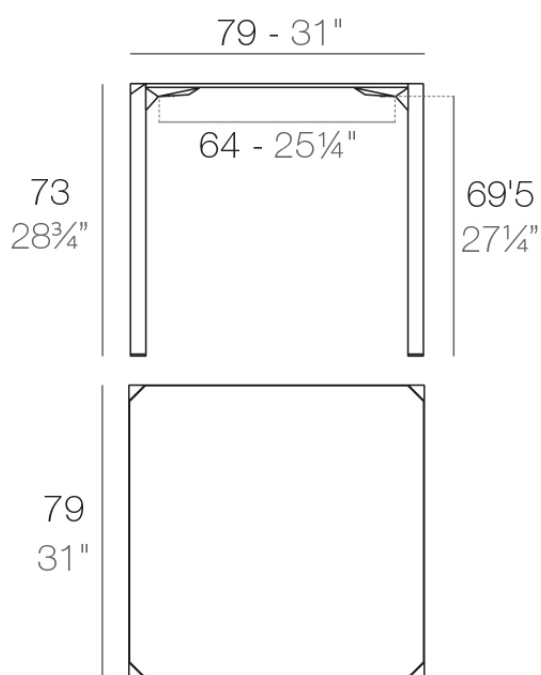
## Info

---

### Description

Made from polypropylene and reinforced with fiberglass manufactured by gas injection. Available in various colors. Suitable for indoor and outdoor use.

Weight: 10.45 Kg



QUARTZ Mesa 79 x 79  
QUARTZ Table 31" x 31"

## Finishes

---

### finishes

---

BASIC PP  
Ref. 54205



white



black



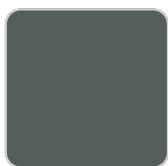
ecru

Available in various colors

### tableros

---

Solid Core  
Ref. VVAR02393



modo green

