

Hamptons sun lounger

by Ramón Esteve

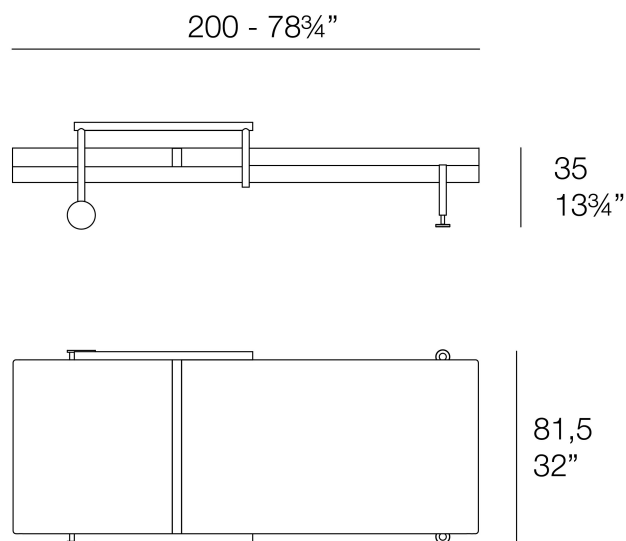
Hamptons, the **new collection of designer outdoor furniture** consists of a set of pieces where a careful selection of fabrics and patterns evoke that “lifestyle” where elegance is perceived in the finest details.



Info

Description

Weight: 50.19 Kg



HAMPTONS Tumbona
HAMPTONS Sun Lounger

Finishes

aluminium

ALUMINIUM

Ref. 54809



white



british gray



traffic gray



black



ecru



crema



castoro fiber



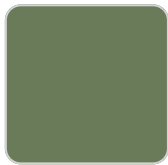
cacao



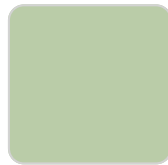
notte blue



modo green



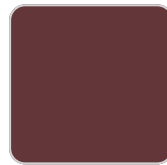
pickle



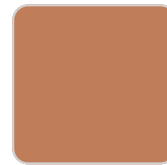
almond



red



purjai red



melon



mostaza

Lacquered aluminium profile.

fabric

SILVERTEX

Ref. 54809CO

VONDOM



forest 1224



beige 1211



bronze 1214



khaki 1218



steel 1208



taupe 1209



antrachite 1210

Vinyl fabric suitable for indoor and outdoor use. Special option for upholstery.

CREVIN Ref. 54809CO



white 1308



steel 1309



taupe 1310



anthracite 1311

Upholstery fabric, that as and natural appearance and can be easy cleaned by washing machines, allowing an easy removal of mildew. Suitable for indoor and outdoor use

CICO Ref. 54809CO

Cozy fabric with an elegant look and soft touch.

ACAPULCO Ref. 54809CO

Cozy fabric with an elegant look and soft touch.

VONDOM

SIESTA

Ref. 54809CO

Cozy fabric with an elegant look and soft touch.

IKON

Ref. 54809CO

Cozy fabric with an elegant look and soft touch.

HERITAGE

Ref. 54809CO

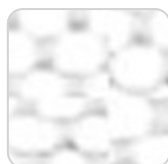


granite 1531

Outdoor fabrics are waterproof 50% recycled acrylic, 47% acrylic and 3% PE.

SAVANE

Ref. 54809CO



white 1501



tornado 1503



whisper 1502

Outdoor fabrics are waterproof 100% acrylic.

Ambients

