



Okidoki

Specification Guide

Okidoki

Who says you can't mix
business with pleasure?

Okidoki could be
brightening the office
one day, then bringing
its casual cool to your
home the next. In any
environment, its cheeky
personality is always
on display.

Okidoki

Stools

5 – 7



Bench Seats

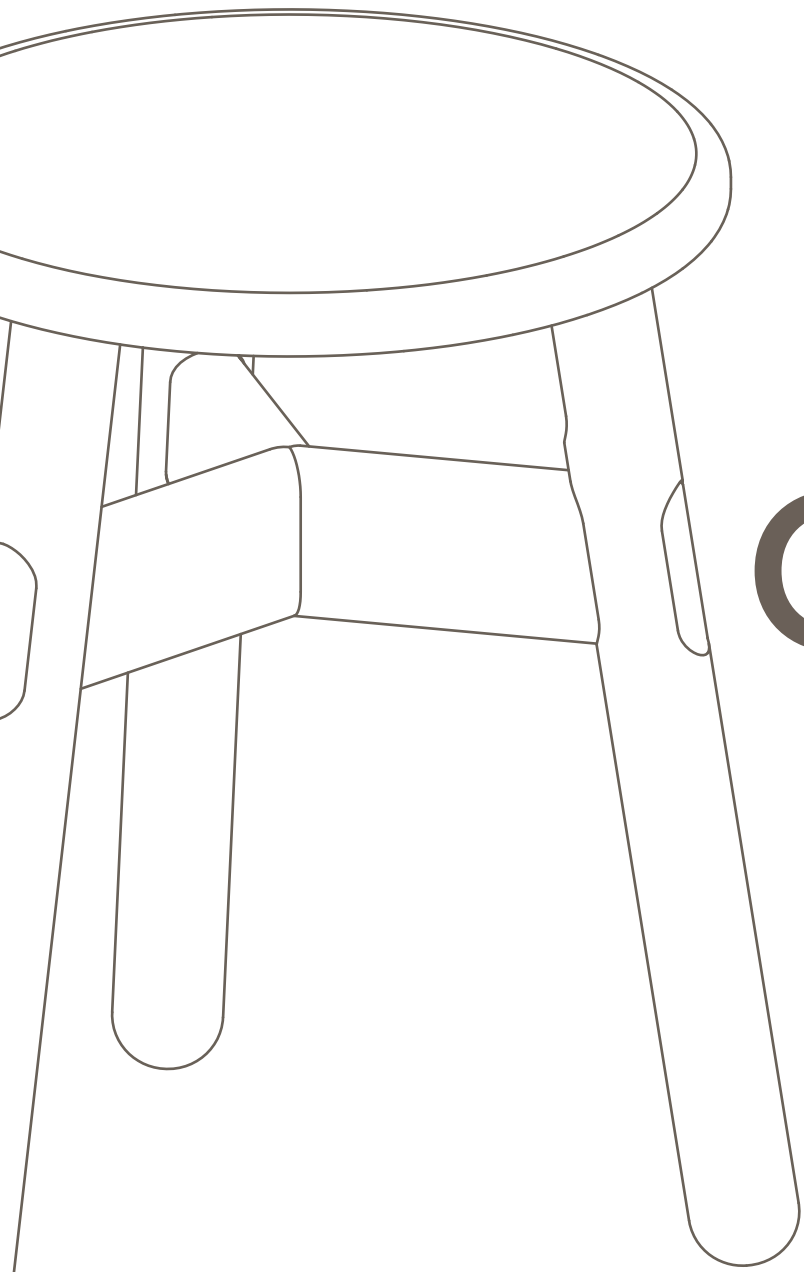
8 – 9



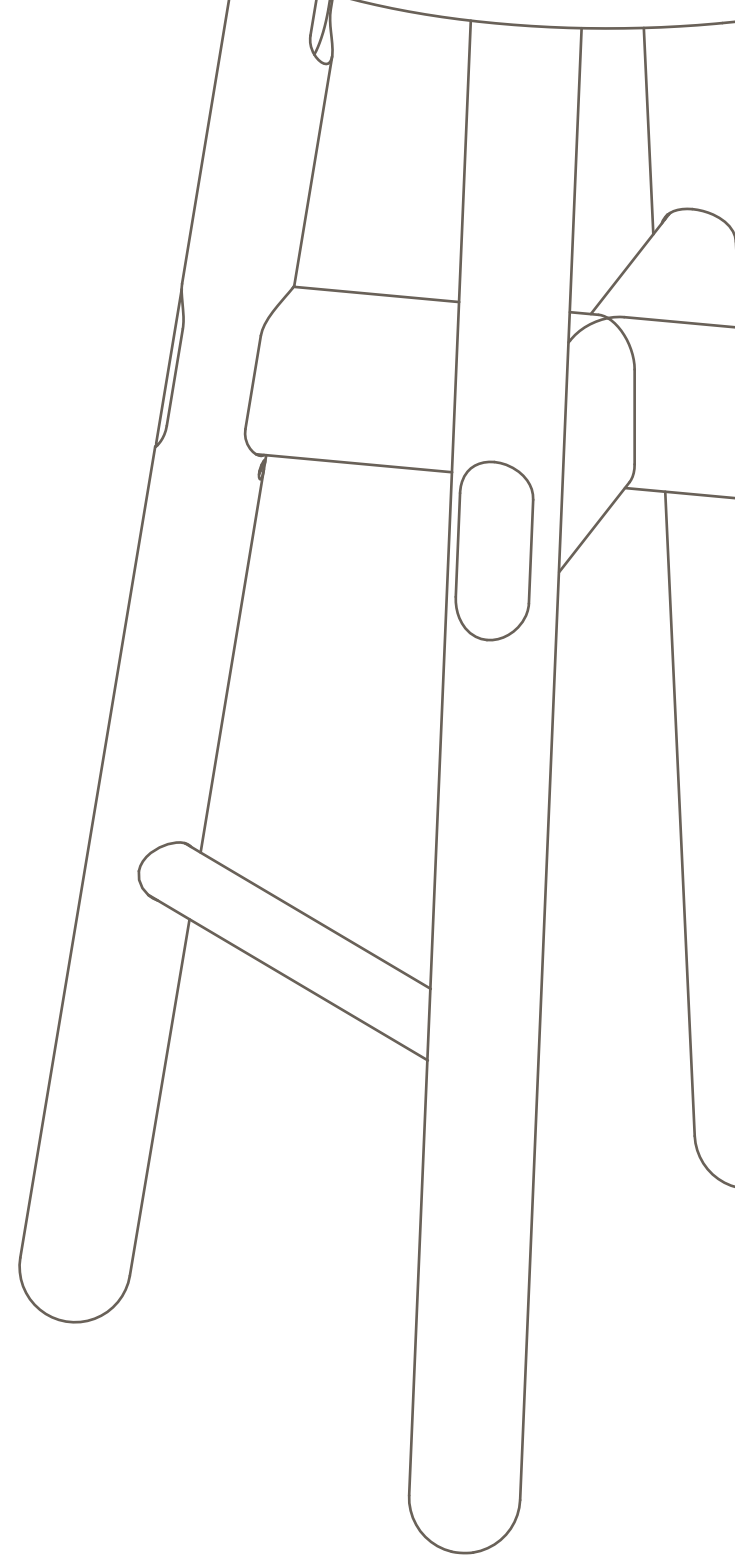
Chairs

10 – 11





Okidoki



Stools Finishes

Featuring solid timber legs available in Ash, Walnut or painted in our seasonal finishes, the timber colour range is designed to either complement or contrast the steel and aluminium framework.

1. Stool

Featuring timber legs available in Ash, Walnut or painted in our seasonal finishes with exposed timber grain, the legs can be finished to either compliment or contrast the steel and aluminium framework and footrest.



2. Frame Finishes

Okidoki steel and aluminium frame is available in our current season powdercoat colours listed. Custom colours are also available.



3. Seasonal Solid Colour

Okidoki Stools are available in solid colour with exposed timber grain to match our current season powdercoat colours.

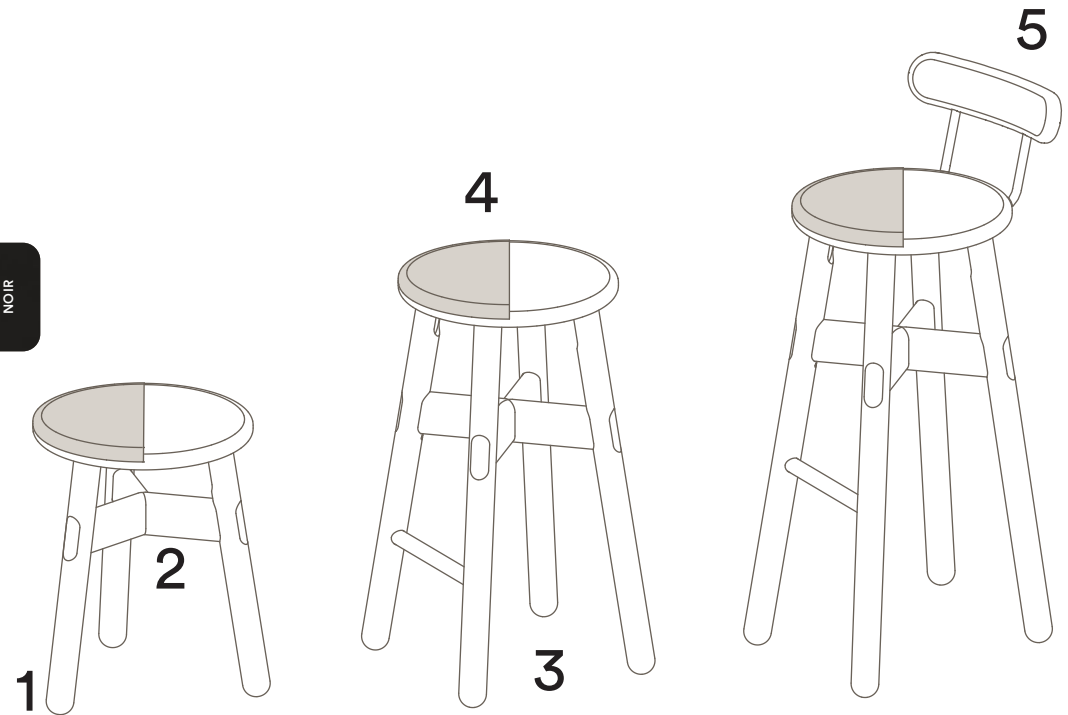
4. Upholstered Seat Pad

Upholstered seat pads are an optional addition to the Okidoki Chair, bringing a softness and warmth to the design. Two fabric types are available.



5. Backrest

Available in Ash, Walnut as well as solid colour with exposed timber grain to match our current season powdercoat colours.



Colours are representative only, please check with your Thinking Works consultant to view samples of any specific colour.

Stools

Materials Information

Legs

Timber Legs

- a. Ash - Standard
- b. Walnut
- c. Seasonal solid colour with timber grain

Frame Finish

Powdercoat Steel & Aluminium Frame

- a. Blanc (standard)
- b. Noir
- c. Double Cream
- d. Pink Salt
- e. Nocturnelle
- f. Morello
- g. Scotland Sky
- h. Green Smoke
- i. Moonshine
- j. Byron Blue
- k. Axel

Seat Pad

Upholstered Seat Pad

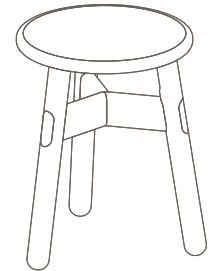
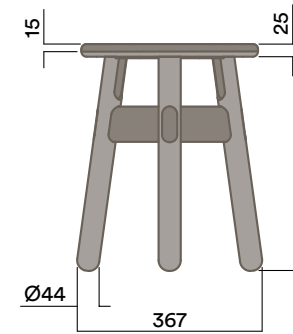
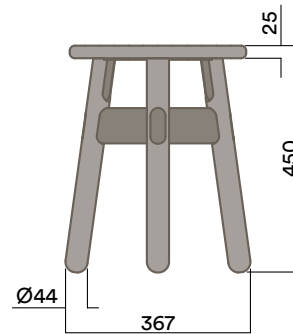
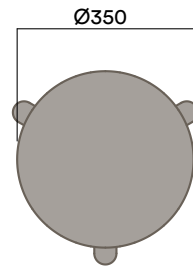
- a. Gabriel Europost 60999
- b. Customer supplied fabric

Maximum Load 1 100kg
 Seats 1

OKS-1000

Low Stool

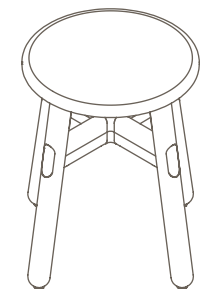
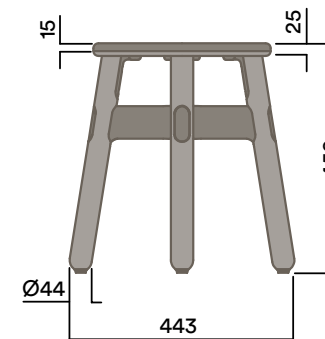
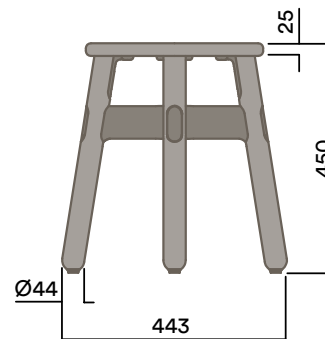
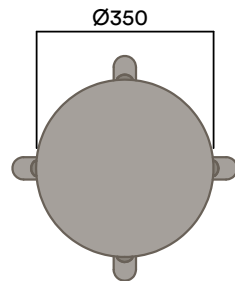
Upholstered Seat Pad



OKS-1040

4 Leg Low Stool

Upholstered Seat Pad



Stools

Materials Information

Legs

Timber Legs

- a. Ash - Standard
- b. Walnut
- c. Seasonal solid colour with timber grain

Frame Finish

Powdercoat Steel, Aluminium Frame & Footrest

- a. Blanc (standard)
- b. Noir
- c. Double Cream
- d. Pink Salt
- e. Nocturnelle
- f. Morello
- g. Scotland Sky
- h. Green Smoke
- i. Moonshine
- j. Byron Blue
- k. Axel

Seat Pad

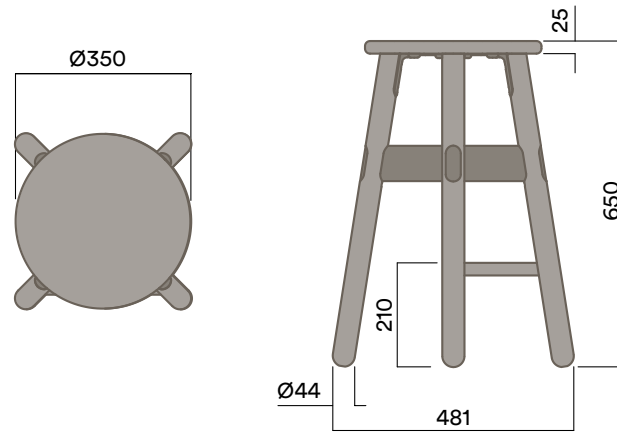
Upholstered Seat Pad

- a. Gabriel Europost 60999
- b. Customer supplied fabric

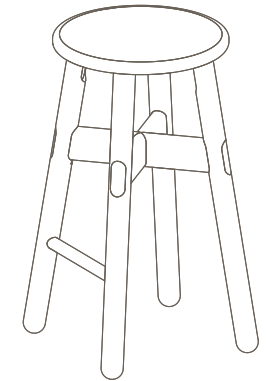
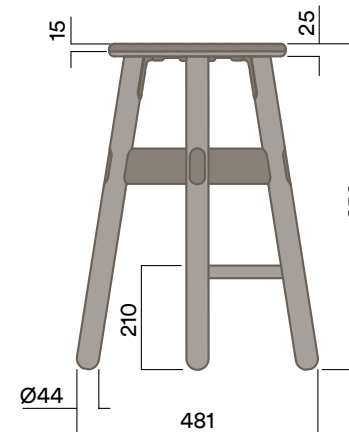
Maximum Load 1 100kg
Seats 1

OKS-1300

Mid Stool

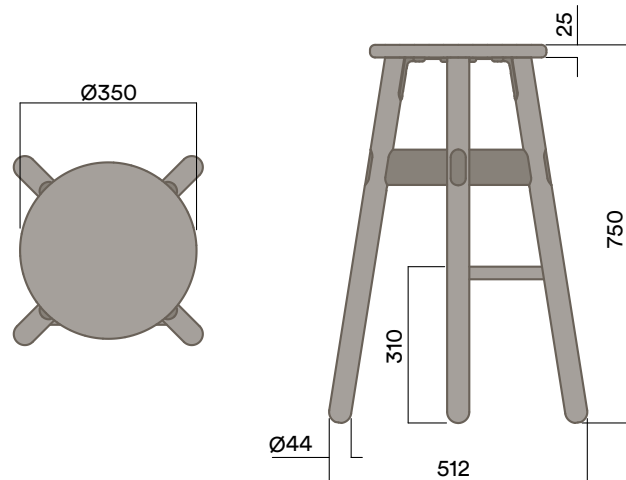


Upholstered Seat Pad

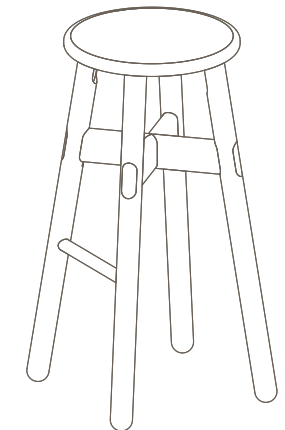
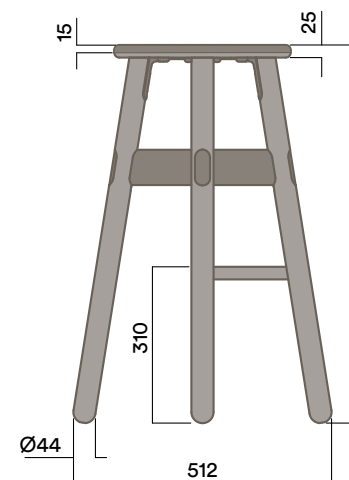


OKS-1500

High Stool



Upholstered Seat Pad



Stool with Backrest

Materials Information

Legs

Timber Legs

- a. Ash - Standard
- b. Walnut
- c. Seasonal solid colour with timber grain

Frame Finish

Powdercoat Steel & Aluminium Frame

- a. Blanc (standard)
- b. Noir
- c. Double Cream
- d. Pink Salt
- e. Nocturnelle
- f. Morello
- g. Scotland Sky
- h. Green Smoke
- i. Moonshine
- j. Byron Blue
- k. Axel

Seat Pad

Upholstered Seat Pad

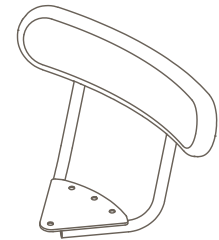
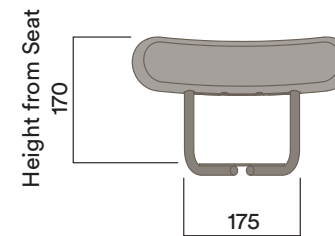
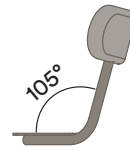
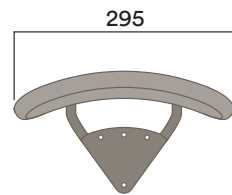
- a. Gabriel Europost 60999
- b. Customer supplied fabric

Maximum Load 1 100kg
Seats 1

- * Retro fitting only available for non-upholstered stool seats
- ** Longer lead-time applies to upholstered stools & backrest in Walnut finish

OKS-1070

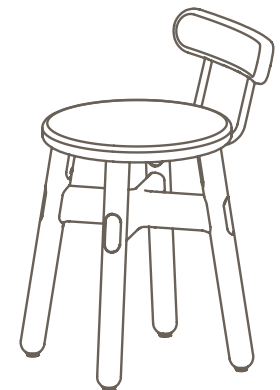
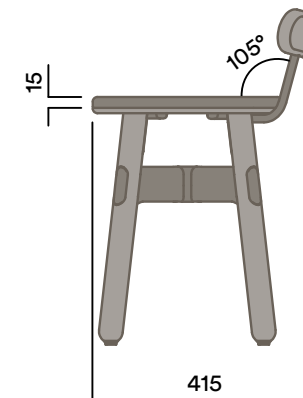
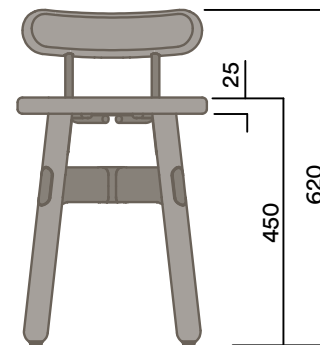
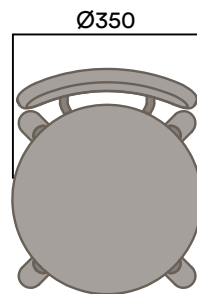
Timber Backrest for retro fitting*



OKS-1040-1

4 Leg Low Stool + Backrest

Upholstered Seat Pad + Backrest**



Stool with Backrest

Materials Information

Legs

Timber Legs

- a. Ash - Standard
- b. Walnut
- c. Seasonal solid colour with timber grain

Frame Finish

Powdercoat Steel, Aluminium Frame & Footrest

- a. Blanc (standard)
- b. Noir
- c. Double Cream
- d. Pink Salt
- e. Nocturnelle
- f. Morello
- g. Scotland Sky
- h. Green Smoke
- i. Moonshine
- j. Byron Blue
- k. Axel

Seat Pad

Upholstered Seat Pad

- a. Gabriel Europost 60999
- b. Customer supplied fabric

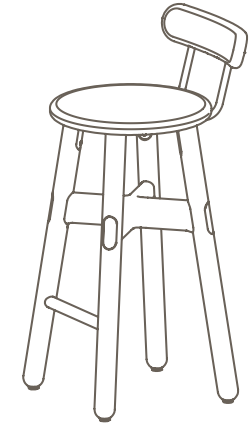
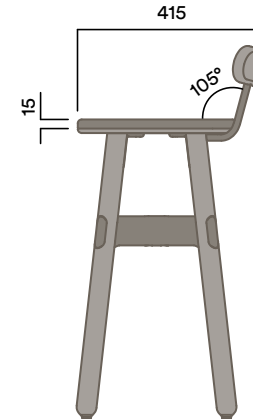
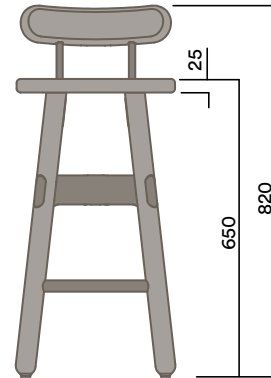
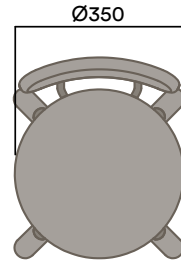
Maximum Load 1 100kg
Seats 1

* Longer lead-time applies to upholstered stools & backrest in Walnut finish

OKS-1300-1

Mid Stool + Backrest

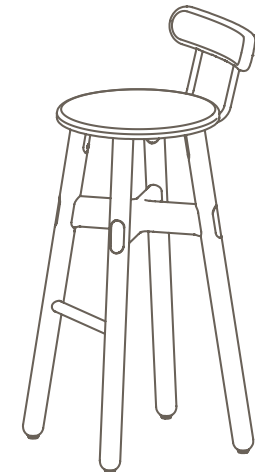
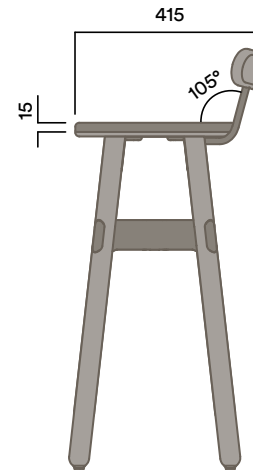
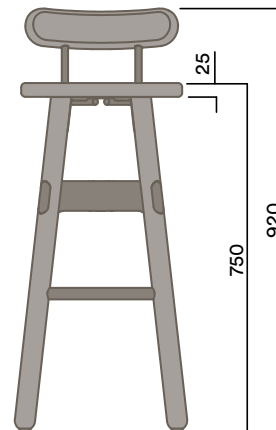
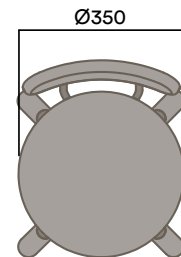
Upholstered Seat Pad + Backrest*



OKS-1500-1

High Stool + Backrest

Upholstered Seat Pad + Backrest*



Benches Finishes

With customisable timber staining, and multiple powder coat options, the Okidoki Bench Seat matches any environment.

1. Bench

Featuring timber legs available in Ash, Walnut or painted in our seasonal finishes with exposed timber grain, the legs can be finished to either compliment or contrast the steel and aluminium framework and footrest.



2. Frame Finishes

Okidoki steel and aluminium frame is available in our current season powdercoat colours listed. Custom colours are also available.

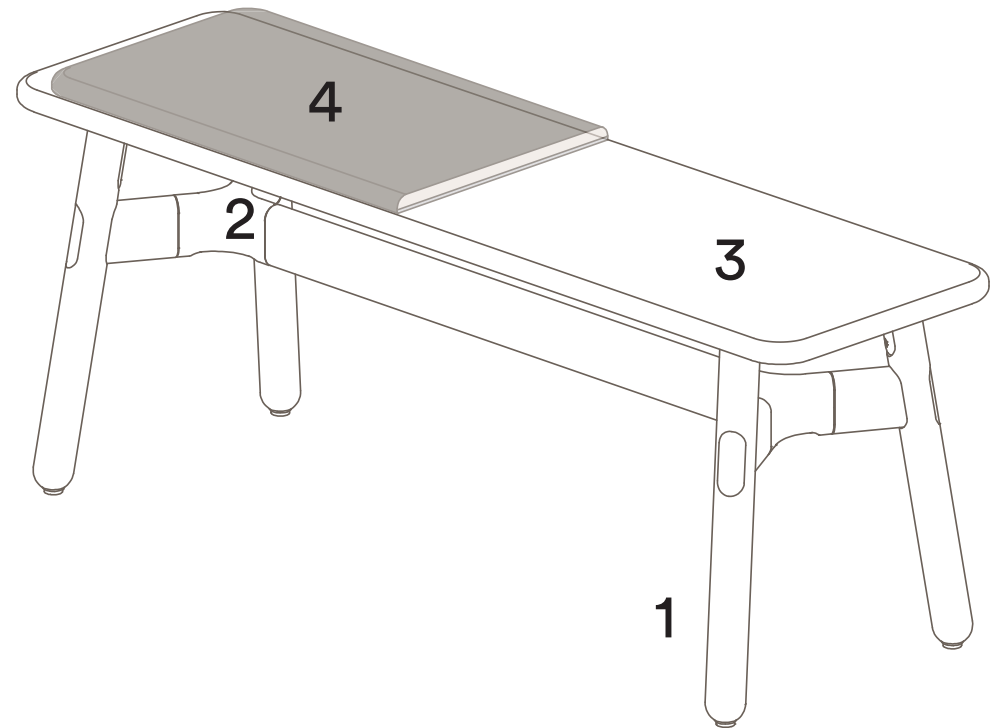


3. Seasonal Solid Colour

The Okidoki Bench is available in solid colour with exposed timber grain to match our current season powdercoat colours.

4. Upholstered Seat Pad

Upholstered seat pads are an optional addition to the Okidoki Bench, bringing a softness and warmth to the design. Two fabric types are available.



Colours are representative only, please check with your Thinking Works consultant to view samples of any specific colour.

Bench Seat

Materials Information

Legs

Timber Legs

- a. Ash - Standard
- b. Walnut
- c. Black solid colour with timber grain
- d. White solid colour with timber grain
- e. Seasonal solid colour with timber grain

Frame Finish

Powdercoat Steel & Aluminium Frame

- a. Blanc (standard)
- b. Noir
- c. Double Cream
- d. Pink Salt
- e. Nocturnelle
- f. Morello
- g. Scotland Sky
- h. Green Smoke
- i. Moonshine
- j. Byron Blue
- k. Axel

Seat Pad

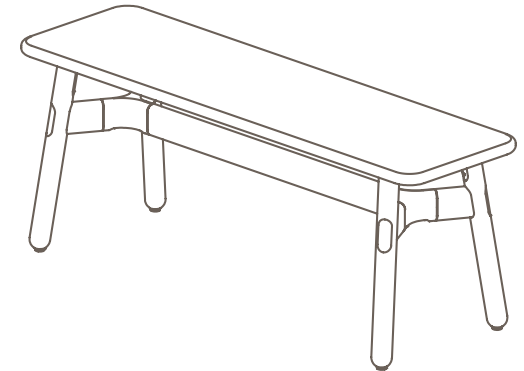
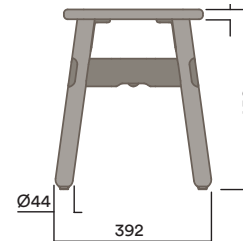
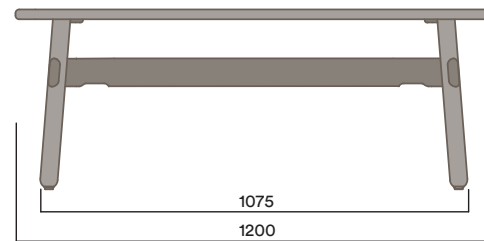
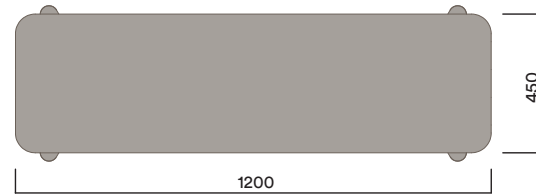
Upholstered Seat Pad

- a. Gabriel Europost 60999
- b. Customer supplied fabric

Maximum Load 200kg
Seats 2

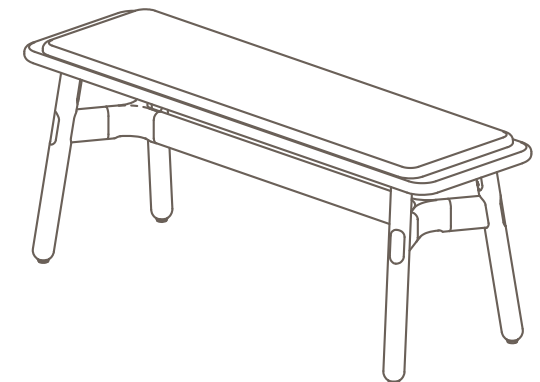
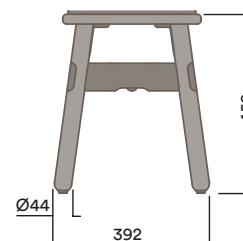
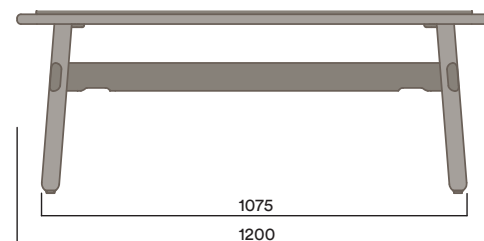
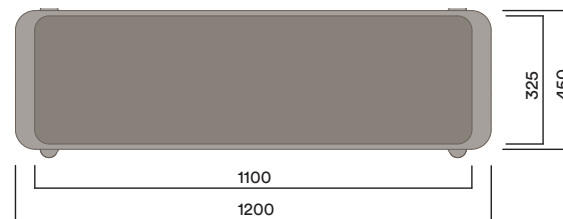
OKS-1080

Okidoki Bench



OKS-1081

Upholstered Okidoki Bench



Chair Finishes

With customisable timber staining, and multiple powder coat options, the Okidoki Chair matches any environment.

1. Chair

Featuring timber legs available in Ash, Walnut or painted in our seasonal finishes with exposed timber grain, the legs can be finished to either compliment or contrast the steel and aluminium framework and footrest.



2. Dress Cap

Okidoki aluminium dress cap is available in our current season powdercoat colours listed. Custom colours are also available.

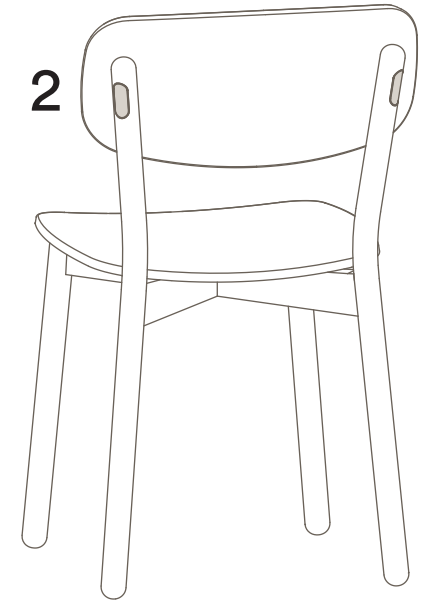
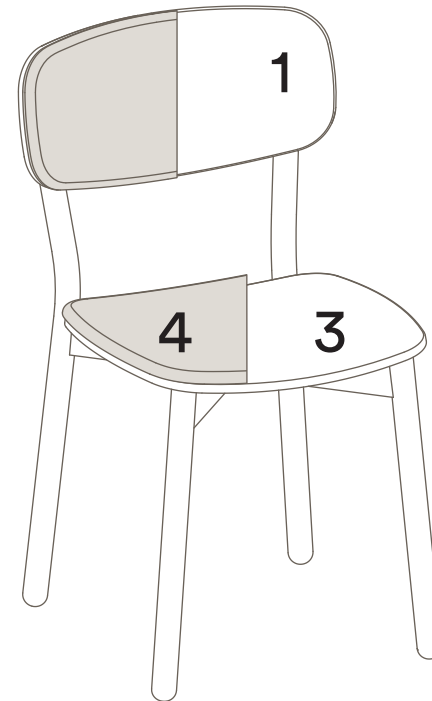


3. Seasonal Solid Colour

Okidoki Chairs are available in solid colour with exposed timber grain to match our current season powdercoat colours.

4. Upholstered Seat Pad

Upholstered seat pads are an optional addition to the Okidoki Chair, bringing a softness and warmth to the design. Two fabric types are available.



Colours are representative only, please check with your Thinking Works consultant to view samples of any specific colour.

Chair

Materials Information

Legs

Timber Legs

- Ash - Standard
- Walnut
- Seasonal solid colour with timber grain

Dress Cap Finish

Aluminium Dress Cap

- Blanc (standard)
- Noir
- Double Cream
- Pink Salt
- Nocturnelle
- Morello
- Scotland Sky
- Green Smoke
- Moonshine
- Byron Blue
- Axel

Back & Seat Pad

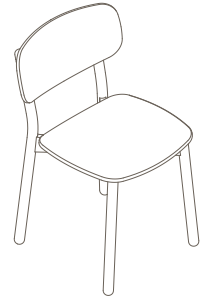
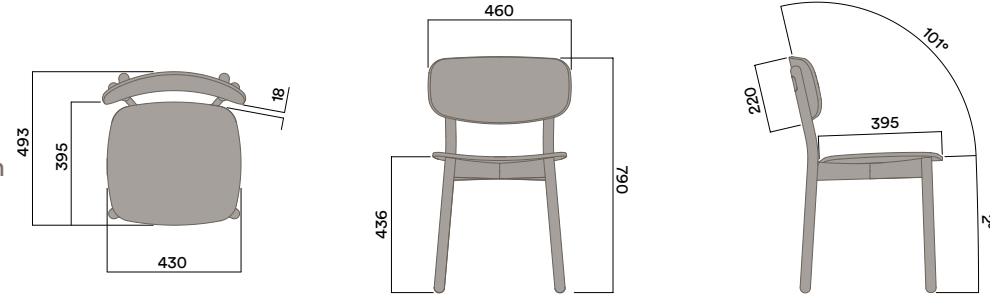
Upholstered Pad

- Gabriel Europost 60999
- Customer supplied fabric

Maximum Load 100kg
Seats 1

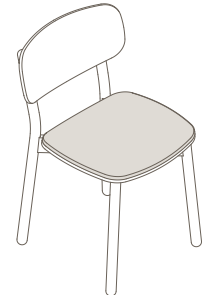
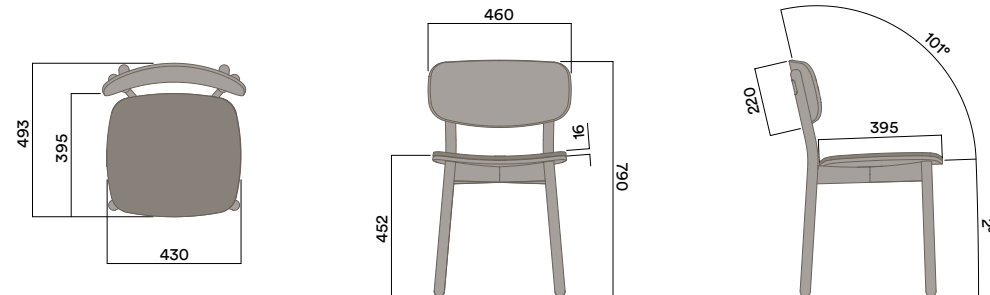
OKS-4000

Chair



OKS-4011 / OKS-4012

Chair - Seat Pad



OKS-4021 / OKS-4022

Chair - Back and Seat Pad

