



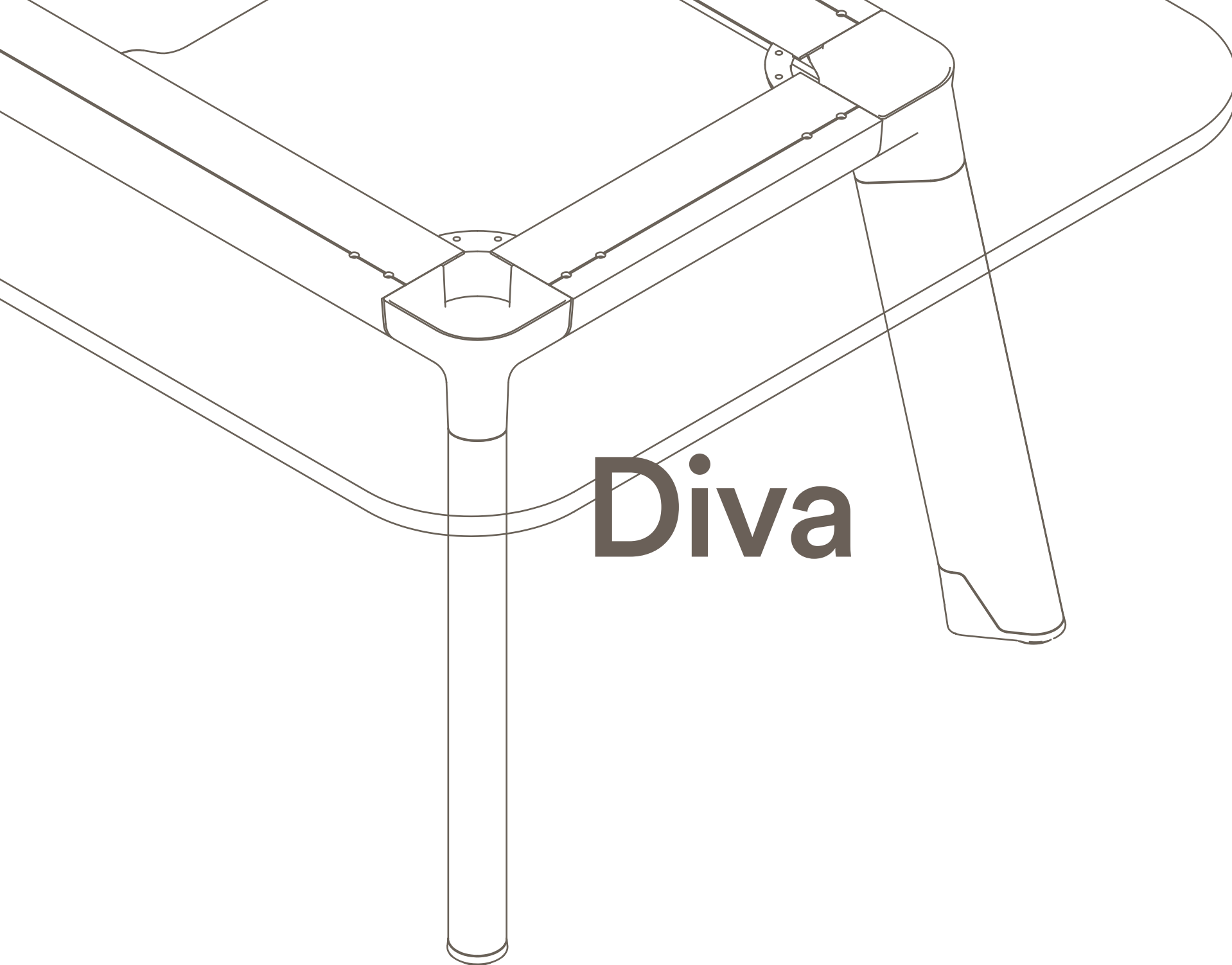
Divva

Specification Guide

Diva

There's more than meets the eye.

Go beyond the striking wooden exterior and discover a host of ingenious design elements, each cleverly concealed within the solid timber build and die cast aluminium features.



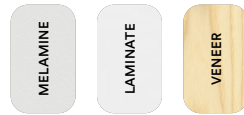
Diva

Diva Finishes

Commanding attention yet yielding to workplace practicalities, Diva blends style and substance with ease, offering a range of finishes and configurations to suit any office space.

1. Tops

25mm commercial Melamine, Laminate or Veneer worktops. Square or Sharknose ABS or Solid Timber Edging.



2. Legs

Diva legs are made from Timber. Ash comes as standard. We offer premium finishes of Solid Walnut and solid colour with exposed timber grain in Black or White.



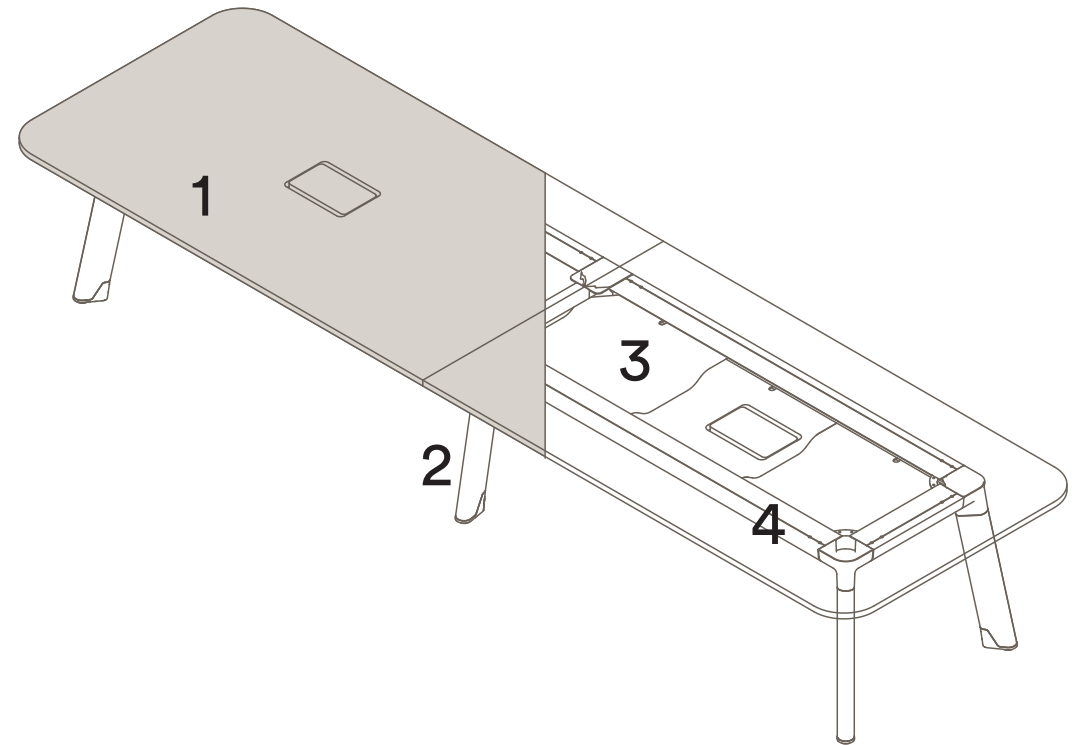
3. Undercarriage

The Diva undercarriages are made from moulded plywood. Ash veneer comes as standard. We also offer Black solid colour with exposed timber grain.



4. Frame Finishes

Diva aluminium frame is available in our current season powdercoat colours listed. Custom colours are also available.



Colours are representative only, please check with your Thinking Works consultant to view samples of any specific colour.

Tables Round

Materials Information

Legs

Timber Legs

- a. Ash - Standard
- b. Walnut
- c. Black solid colour with timber grain
- d. White solid colour with timber grain

Frame Finish

Aluminium Frame

- a. Blanc
- b. Noir
- c. Double Cream
- d. Pink Salt
- e. Nocturnelle
- f. Morello
- g. Scotland Sky
- h. Green Smoke
- i. Moonshine
- j. Byron Blue
- k. Axel

Undercarriage

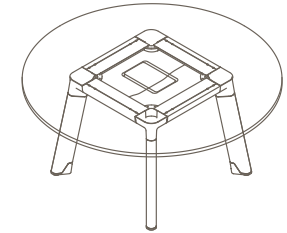
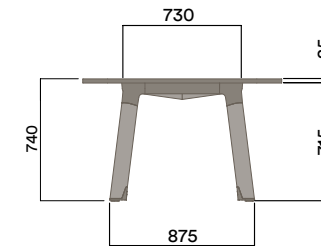
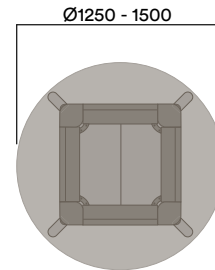
Plywood undercarriage

- a. Ash - Standard
- b. Black solid colour with timber grain

Maximum inc. worktop 80kg
 Maximum Point Load 50kg
 Seats 2-6

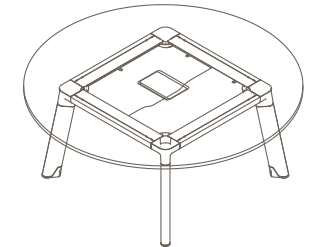
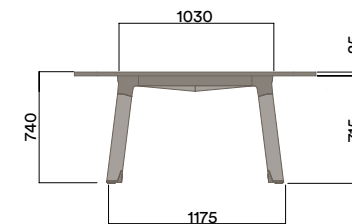
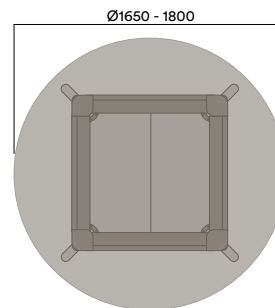
4 Leg Small

740 (standard height)



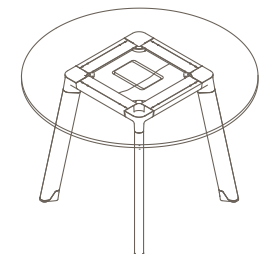
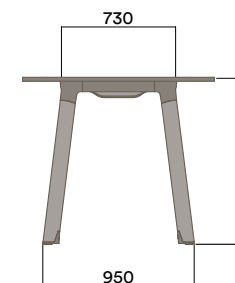
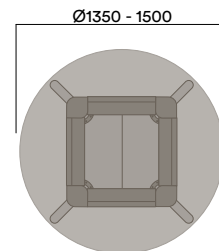
4 Leg Large

740 (standard height)



4 Leg Small

1050 (standing height)



Tables Square

Materials Information

Legs

Timber Legs

- a. Ash - Standard
- b. Walnut
- c. Black solid colour with timber grain
- d. White solid colour with timber grain

Frame Finish

Aluminium Frame

- a. Blanc
- b. Noir
- c. Double Cream
- d. Pink Salt
- e. Nocturnelle
- f. Morello
- g. Scotland Sky
- h. Green Smoke
- i. Moonshine
- j. Byron Blue
- k. Axel

Undercarriage

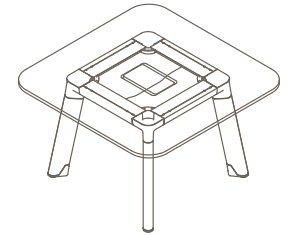
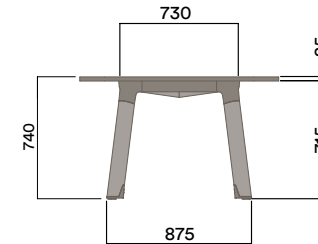
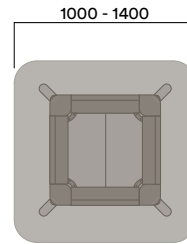
Plywood undercarriage

- a. Ash - Standard
- b. Black solid colour with timber grain

Maximum inc. worktop 80kg
 Maximum Point Load 50kg
 Seats 2-6

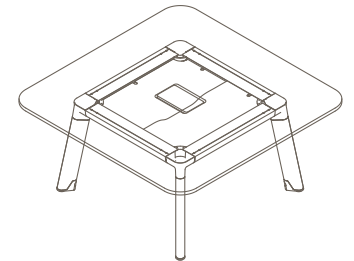
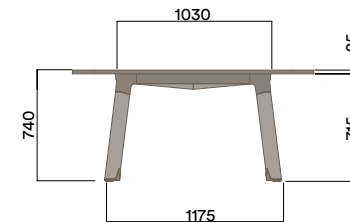
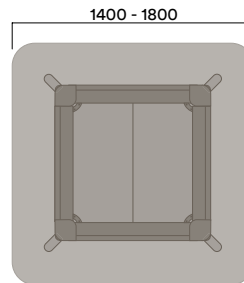
4 Leg Small

740 (standard height)



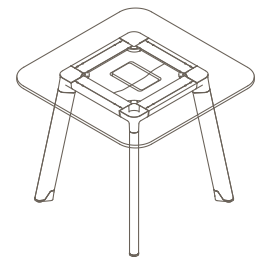
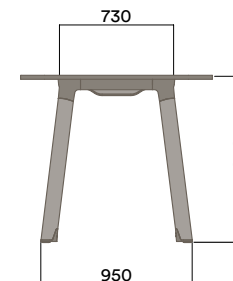
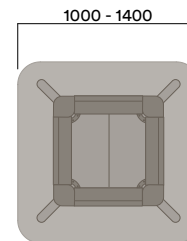
4 Leg Large

740 (standard height)



4 Leg Small

1050 (standing height)



Tables

Rectangle

Materials Information

Legs

Timber Legs

- a. Ash - Standard
- b. Walnut
- c. Black solid colour with timber grain
- d. White solid colour with timber grain

Frame Finish

Aluminium Frame

- a. Blanc
- b. Noir
- c. Double Cream
- d. Pink Salt
- e. Nocturnelle
- f. Morello
- g. Scotland Sky
- h. Green Smoke
- i. Moonshine
- j. Byron Blue
- k. Axel

Undercarriage

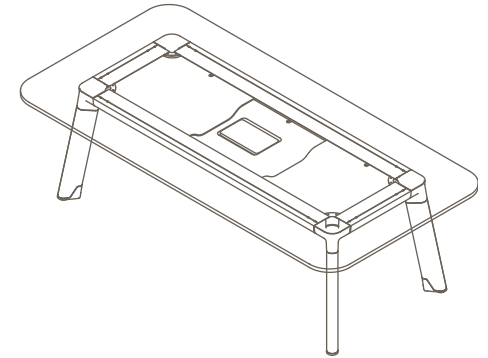
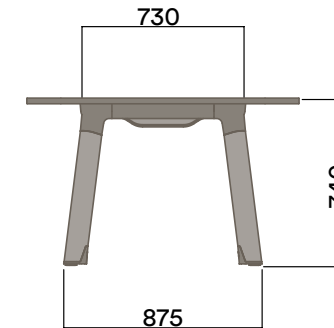
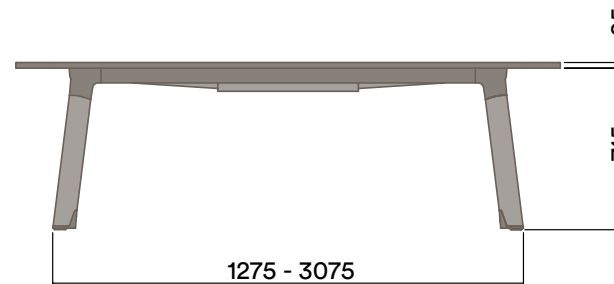
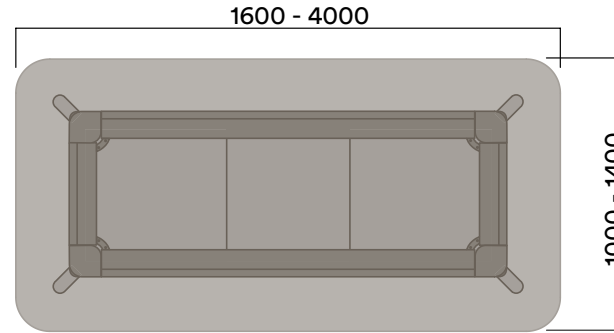
Plywood undercarriage

- a. Ash - Standard
- b. Black solid colour with timber grain

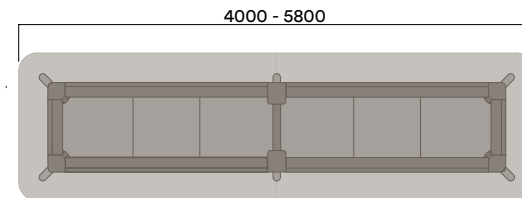
Maximum inc. worktop 160kg
 Maximum Point Load 50kg
 Seats 4-22

4 Leg Narrow

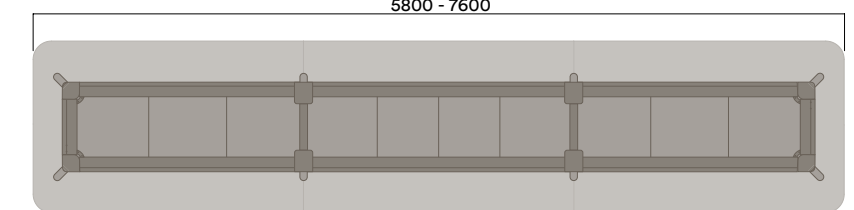
740 (standard height)



6 Leg Narrow



8 Leg Narrow



Tables

Rectangle

Materials Information

Legs

Timber Legs

- a. Ash - Standard
- b. Walnut
- c. Black solid colour with timber grain
- d. White solid colour with timber grain

Frame Finish

Aluminium Frame

- a. Blanc
- b. Noir
- c. Double Cream
- d. Pink Salt
- e. Nocturnelle
- f. Morello
- g. Scotland Sky
- h. Green Smoke
- i. Moonshine
- j. Byron Blue
- k. Axel

Undercarriage

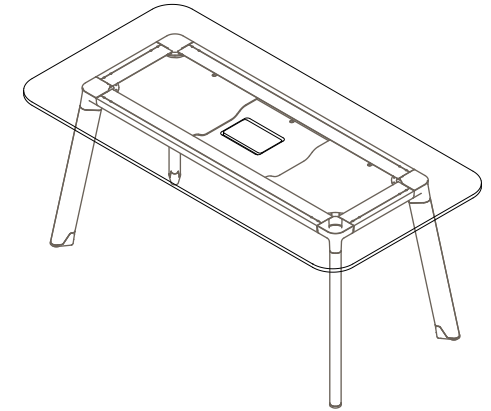
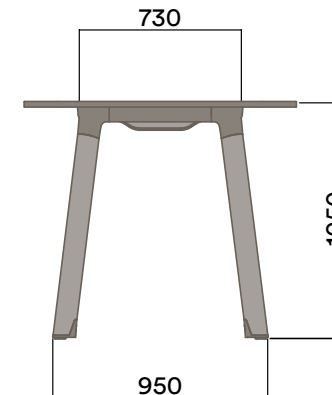
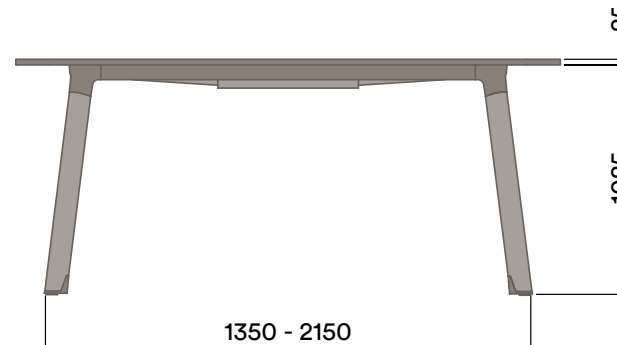
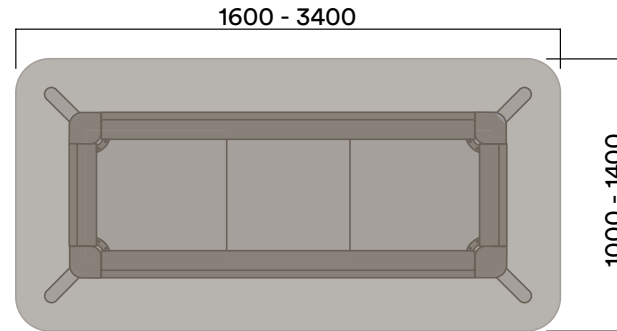
Plywood undercarriage

- a. Ash - Standard
- b. Black solid colour with timber grain

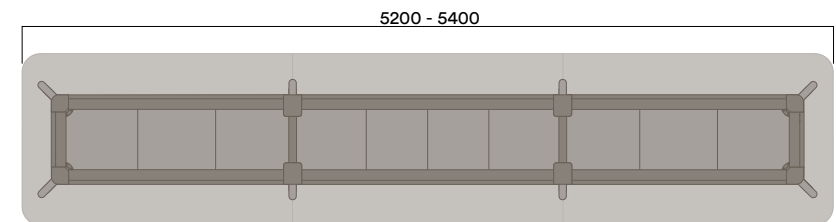
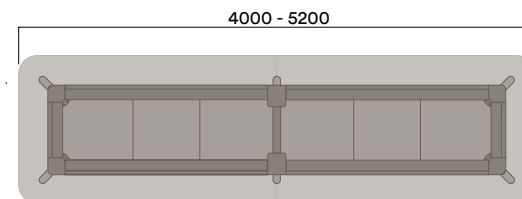
Maximum inc. worktop 160kg
 Maximum Point Load 50kg
 Seats 4-22

4-Leg Narrow

1050 (standing height)



6-Leg Narrow



Tables

Rectangle

Materials Information

Legs

Timber Legs

- a. Ash - Standard
- b. Walnut
- c. Black solid colour with timber grain
- d. White solid colour with timber grain

Frame Finish

Aluminium Frame

- a. Blanc
- b. Noir
- c. Double Cream
- d. Pink Salt
- e. Nocturnelle
- f. Morello
- g. Scotland Sky
- h. Green Smoke
- i. Moonshine
- j. Byron Blue
- k. Axel

Undercarriage

Plywood undercarriage

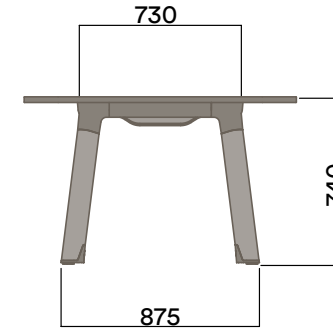
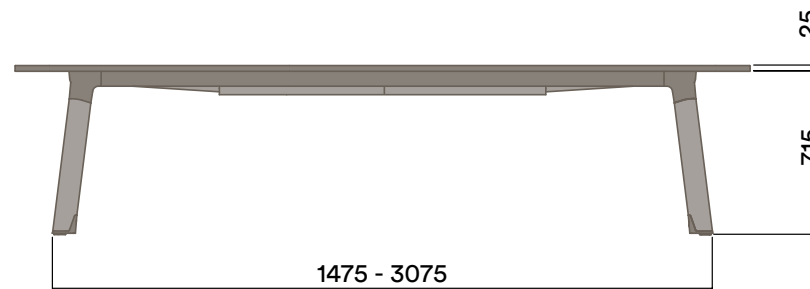
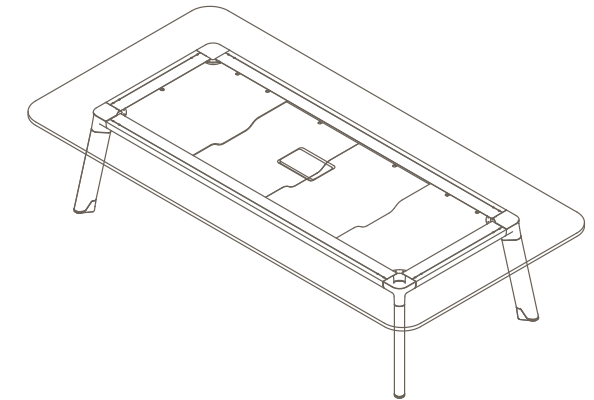
- a. Ash - Standard
- b. Black solid colour with timber grain

Maximum inc. worktop 160kg
 Maximum Point Load 50kg
 Seats 4-22

4 Leg Wide

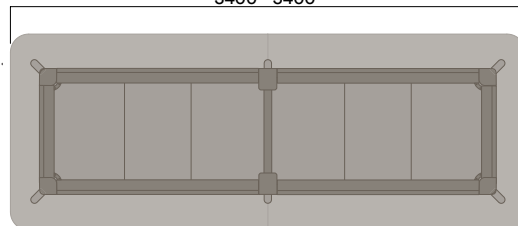
740 (standard height)

1800 - 3400



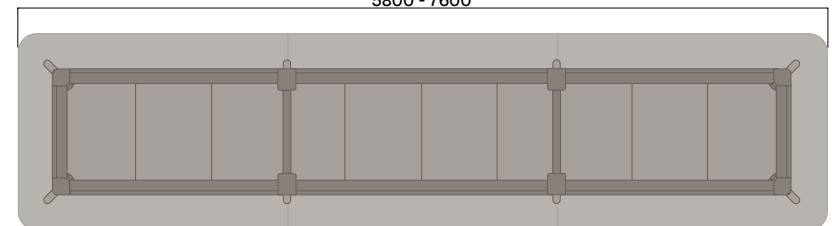
6 Leg Wide

3400 - 5400



8 Leg Wide

5800 - 7600



Tables Features

Materials Information

Undercarriage

Plywood undercarriage

- a. Ash - Standard
- b. Black solid colour with timber grain

Seamless Powerbox

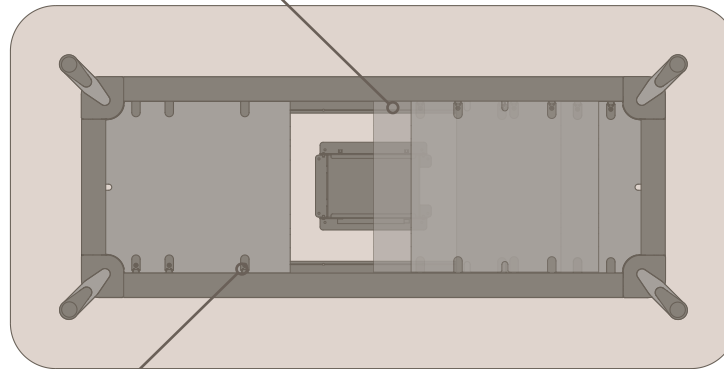
Steel Powerbox Chassis

- a. Black Powdercoat

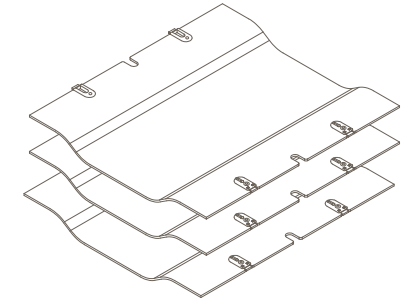
Cable Management

Plywood Undercarriage

Undercarriage panel*



Slide Locks**



In-Desk Power

Seamless Powerbox

Option 1:

4x GPO - Type I
(AUS / NZ / CHN)
200mm Data Provision



Option 2:

8x GPO - Type I
(AUS / NZ / CHN)



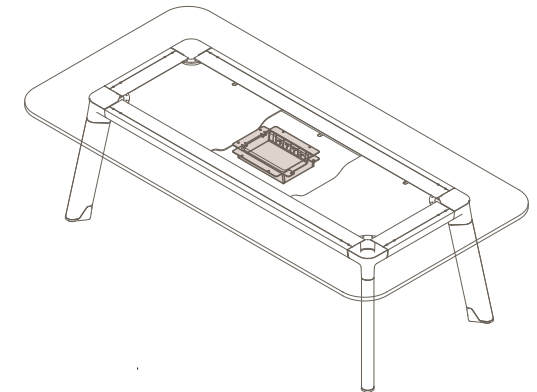
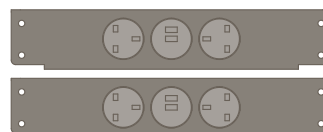
Option 3:

2x GPO - Type G
(UK / HKG / SGP / MYS)
2x USB Power
200mm Data Provision



Option 4:

4x GPO - Type G
(UK / HKG / SGP / MYS)
4x USB Power



*Overlapping Undercarriage panels conceal Seamless power boxes and interconnecting leads.

**Slide locks allow for easy install and removal of Undercarriage panels.

Seamless Powerbox includes worktop cut-out and seamless hinged lid.

Tables Features

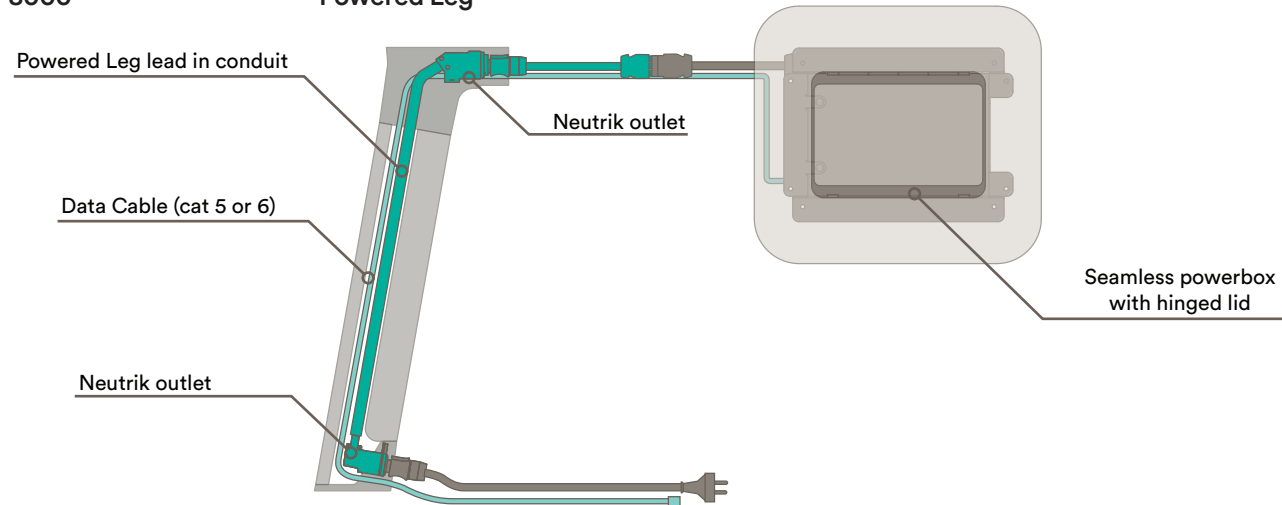
Materials Information

Seamless Powerbox Steel Powerbox Chassis

a. Black Powdercoat

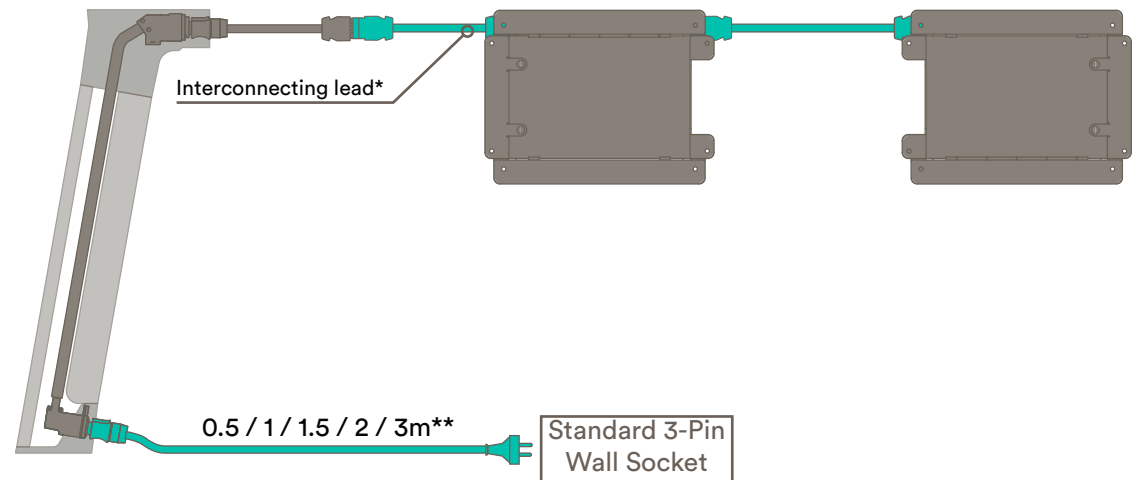
DV-8000

Powered Leg



In-Desk Power

Power Cables



NEUTRIK outlets at top and bottom of Powered Leg allows for plug-in power from Seamless box to floor.

Powered Leg lead housed in 16mm flexible conduit within Diva leg cavity to allow for power and data segregation in shared Powered Leg.

*Interconnecting leads for Seamless powerbox available in 500 / 1000 / 2000 / 3000mm.

**10amp 3-pin to NEUTRIK starter lead available.

NEUTRIK is a rugged power solution in combination with a locking mechanism to guarantee a safe power connection. NEUTRIK connectors also feature a breaking capacity which allows it to be connected or disconnected under load or live.



Diva 1.1

Specification Guide

Diva 1.1

**There's more than meets
the eye.**

**Go beyond the striking
wooden exterior
and discover a host
of ingenious design
elements, each cleverly
concealed within the solid
timber build and die cast
aluminium features.**



Diva 1.1

Diva 1.1 Finishes

Commanding attention yet yielding to workplace practicalities, Diva 1.1 blends style and substance with ease, offering a range of finishes and configurations to suit any office space.

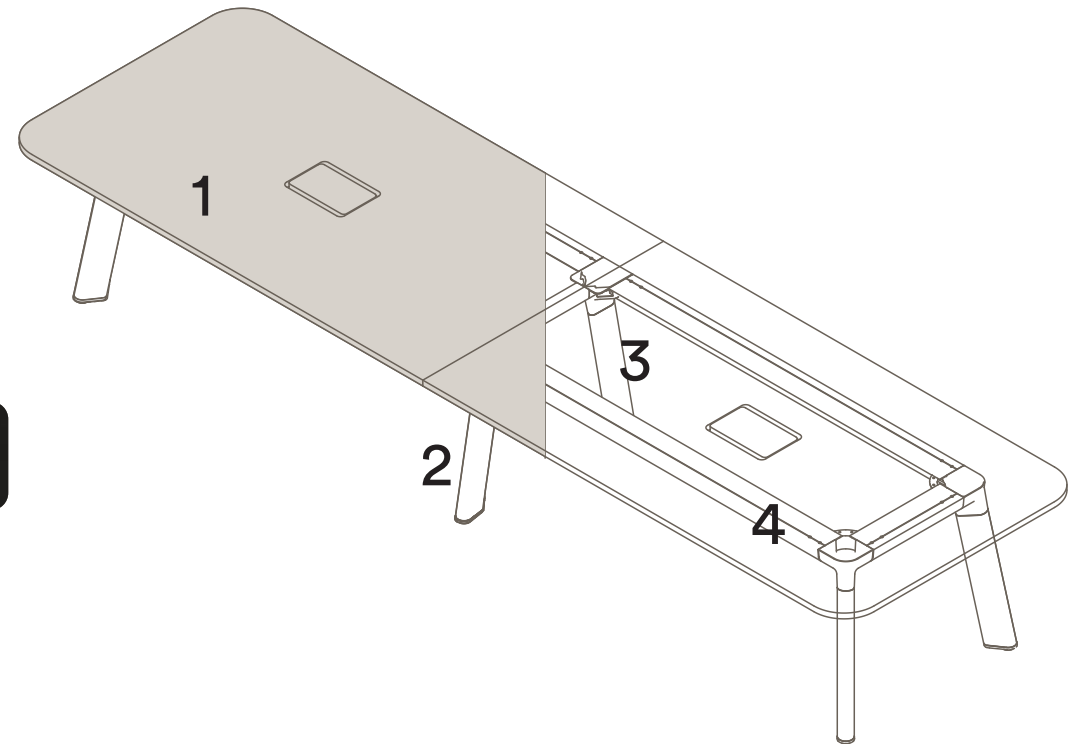
1. Legs

Diva 1.1 legs are made from Timber. Ash comes as standard. We offer premium finishes of Solid Walnut and solid colour with exposed timber grain in Black or White.



2. Frame Finishes

Diva 1.1 aluminium frame is available in our current season powdercoat colours listed. Custom colours are also available.



Colours are representative only, please check with your Thinking Works consultant to view samples of any specific colour.

Tables Round

Materials Information

Legs

Timber Legs

- a. Ash - Standard
- b. Walnut
- c. Black solid colour with timber grain
- d. White solid colour with timber grain

Frame Finish

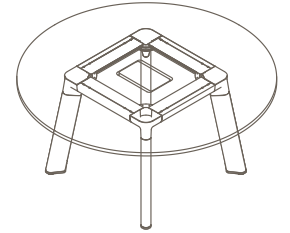
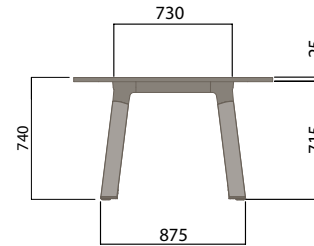
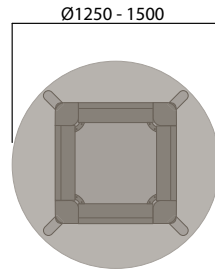
Aluminium Frame

- a. Blanc
- b. Noir
- c. Double Cream
- d. Pink Salt
- e. Nocturnelle
- f. Morello
- g. Scotland Sky
- h. Green Smoke
- i. Moonshine
- j. Byron Blue
- k. Axel

Maximum inc. worktop 80kg
 Maximum Point Load 50kg
 Seats 2-6

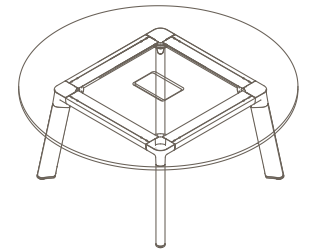
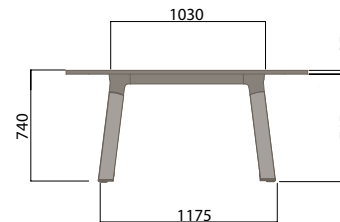
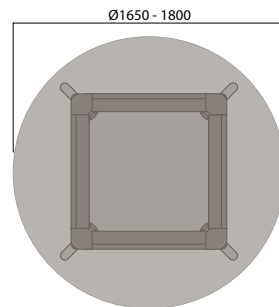
4 Leg Small

740 (standard height)



4 Leg Large

740 (standard height)



Tables Round

Materials Information

Legs

Timber Legs

- a. Ash - Standard
- b. Walnut
- c. Black solid colour with timber grain
- d. White solid colour with timber grain

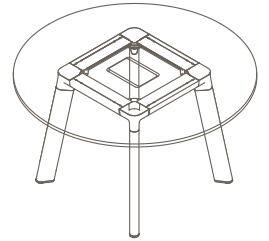
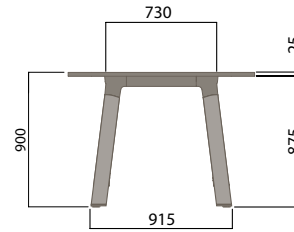
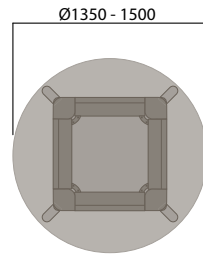
Frame Finish

Aluminium Frame

- a. Blanc
- b. Noir
- c. Double Cream
- d. Pink Salt
- e. Nocturnelle
- f. Morello
- g. Scotland Sky
- h. Green Smoke
- i. Moonshine
- j. Byron Blue
- k. Axel

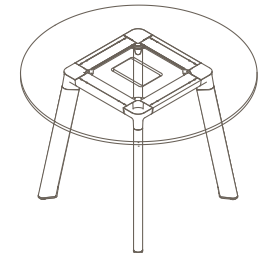
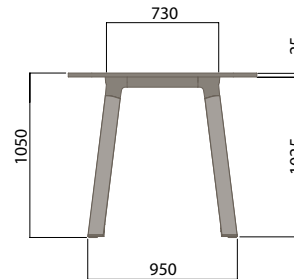
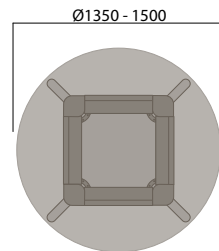
4 Leg Small

900 (benching height)



4 Leg Small

1050 (standing height)



Maximum inc. worktop 80kg
 Maximum Point Load 50kg
 Seats 2-6

Tables Square

Materials Information

Legs

Timber Legs

- a. Ash - Standard
- b. Walnut
- c. Black solid colour with timber grain
- d. White solid colour with timber grain

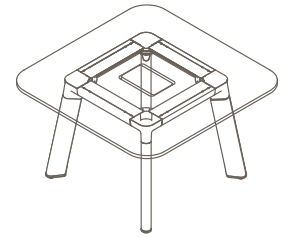
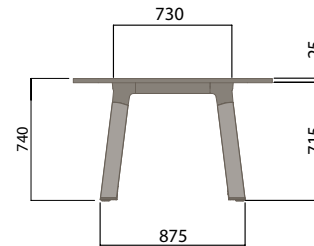
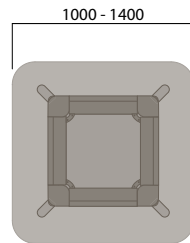
Frame Finish

Aluminium Frame

- a. Blanc
- b. Noir
- c. Double Cream
- d. Pink Salt
- e. Nocturnelle
- f. Morello
- g. Scotland Sky
- h. Green Smoke
- i. Moonshine
- j. Byron Blue
- k. Axel

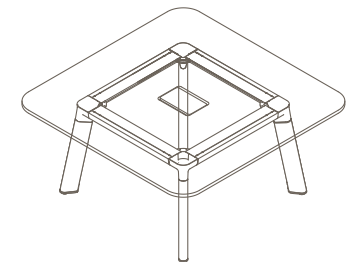
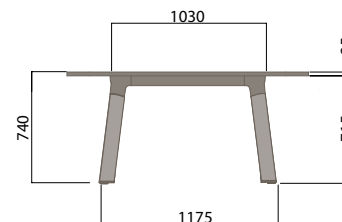
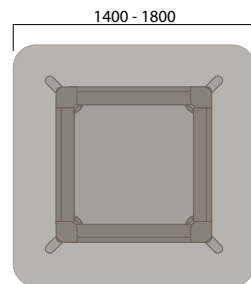
4 Leg Small

740 (standard height)



4 Leg Large

740 (standard height)



Maximum inc. worktop 80kg
Maximum Point Load 50kg
Seats 2-6

Tables Square

Materials Information

Legs

Timber Legs

- a. Ash - Standard
- b. Walnut
- c. Black solid colour with timber grain
- d. White solid colour with timber grain

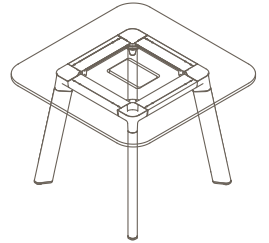
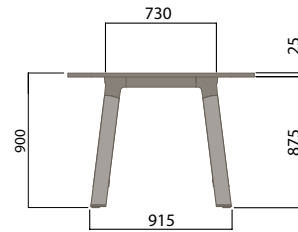
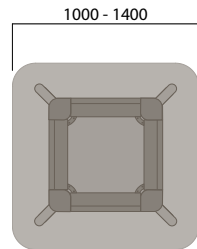
Frame Finish

Aluminium Frame

- a. Blanc
- b. Noir
- c. Double Cream
- d. Pink Salt
- e. Nocturnelle
- f. Morello
- g. Scotland Sky
- h. Green Smoke
- i. Moonshine
- j. Byron Blue
- k. Axel

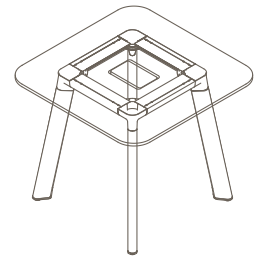
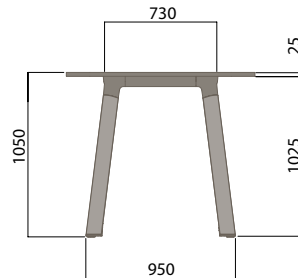
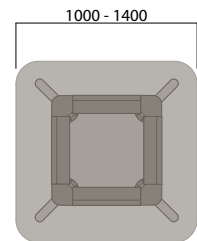
4 Leg Small

900 (benching height)



4 Leg Small

1050 (standing height)



Maximum inc. worktop 80kg
 Maximum Point Load 50kg
 Seats 2-6

Tables

Rectangle

Materials Information

Legs

Timber Legs

- a. Ash - Standard
- b. Walnut
- c. Black solid colour with timber grain
- d. White solid colour with timber grain

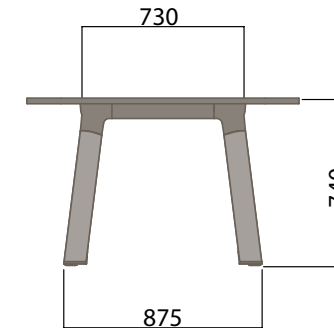
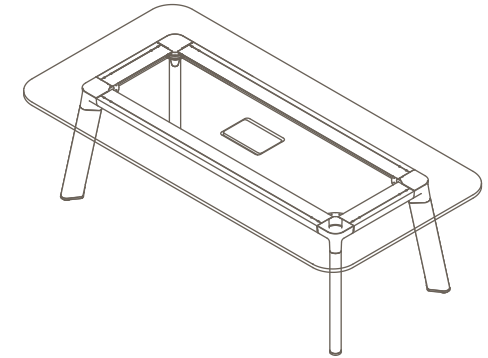
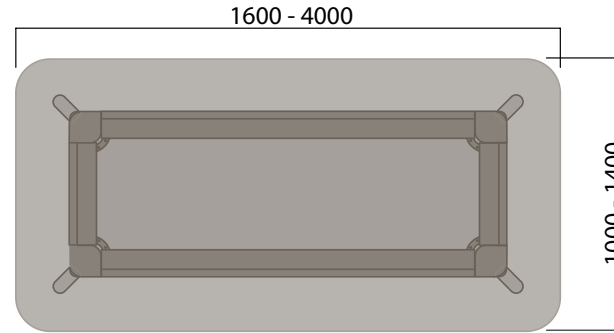
Frame Finish

Aluminium Frame

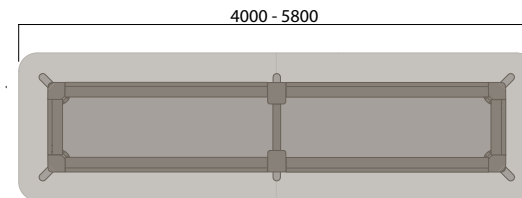
- a. Blanc
- b. Noir
- c. Double Cream
- d. Pink Salt
- e. Nocturnelle
- f. Morello
- g. Scotland Sky
- h. Green Smoke
- i. Moonshine
- j. Byron Blue
- k. Axel

4 Leg Narrow

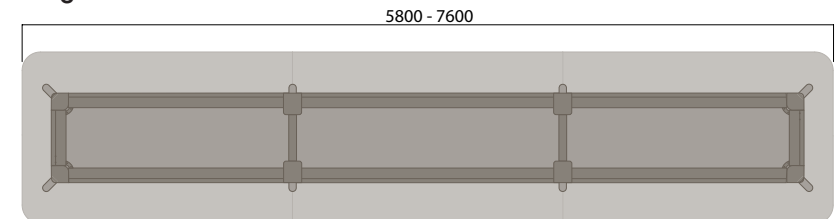
740 (standard height)



6 Leg Narrow



8 Leg Narrow



Maximum inc. worktop 160kg
 Maximum Point Load 50kg
 Seats 4-22

Tables

Rectangle

Materials Information

Legs

Timber Legs

- a. Ash - Standard
- b. Walnut
- c. Black solid colour with timber grain
- d. White solid colour with timber grain

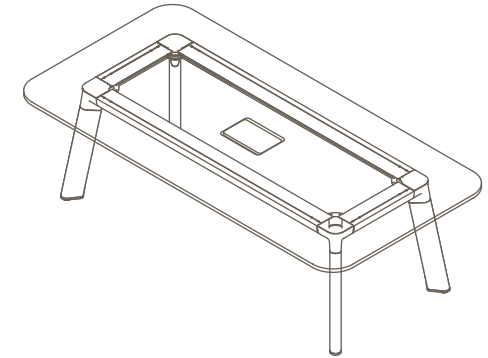
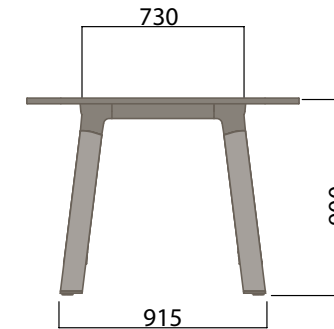
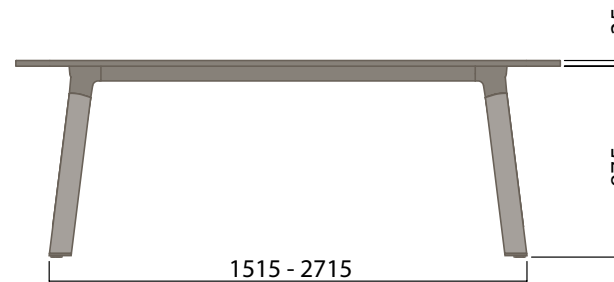
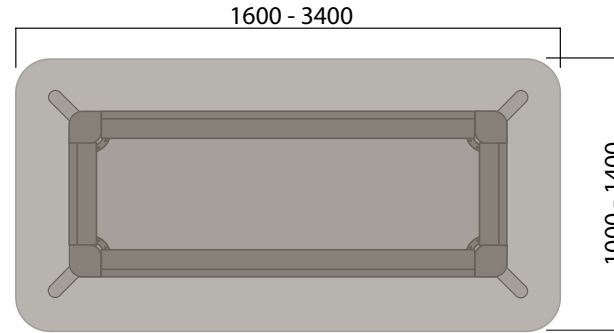
Frame Finish

Aluminium Frame

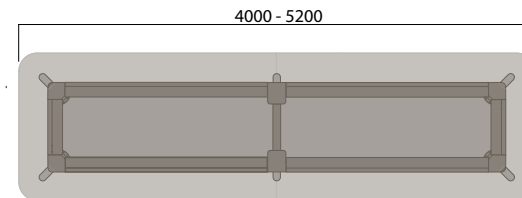
- a. Blanc
- b. Noir
- c. Double Cream
- d. Pink Salt
- e. Nocturnelle
- f. Morello
- g. Scotland Sky
- h. Green Smoke
- i. Moonshine
- j. Byron Blue
- k. Axel

4 Leg Narrow

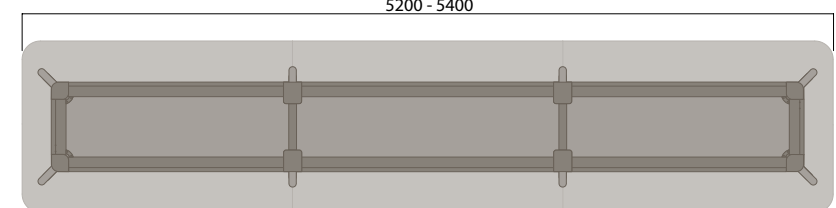
900 (benching height)



6 Leg Narrow



8 Leg Narrow



Maximum inc. worktop 160kg
 Maximum Point Load 50kg
 Seats 4-22

Tables

Rectangle

Materials Information

Legs

Timber Legs

- a. Ash - Standard
- b. Walnut
- c. Black solid colour with timber grain
- d. White solid colour with timber grain

Frame Finish

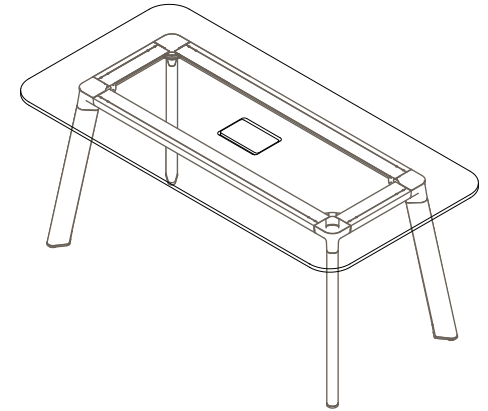
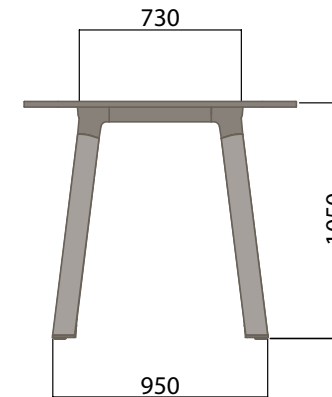
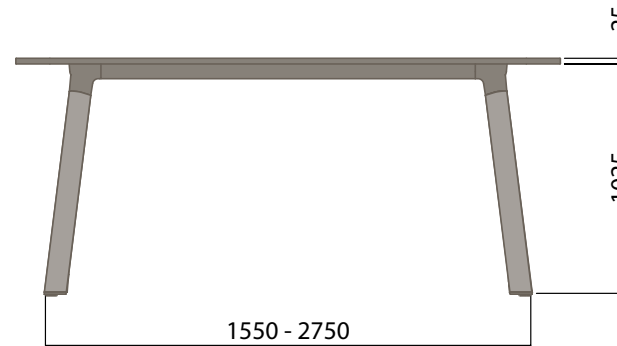
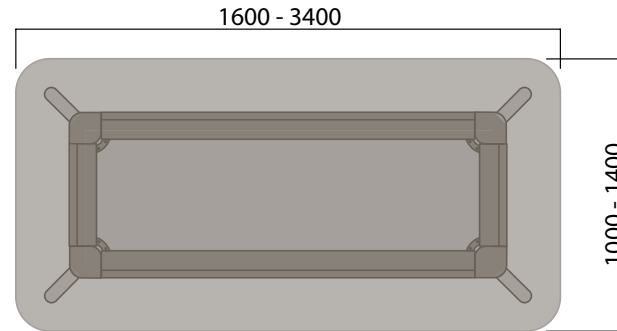
Aluminium Frame

- a. Blanc
- b. Noir
- c. Double Cream
- d. Pink Salt
- e. Nocturnelle
- f. Morello
- g. Scotland Sky
- h. Green Smoke
- i. Moonshine
- j. Byron Blue
- k. Axel

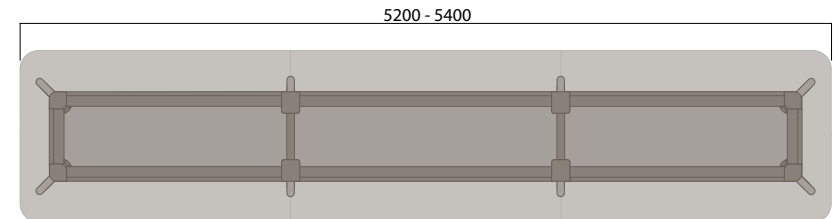
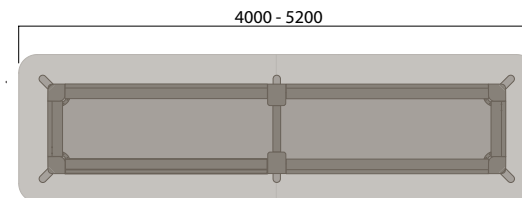
Maximum inc. worktop 160kg
 Maximum Point Load 50kg
 Seats 4-22

4-Leg Narrow

1050 (standing height)



6-Leg Narrow



Tables

Rectangle

Materials Information

Legs

Timber Legs

- a. Ash - Standard
- b. Walnut
- c. Black solid colour with timber grain
- d. White solid colour with timber grain

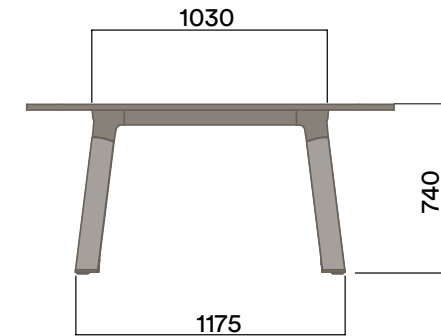
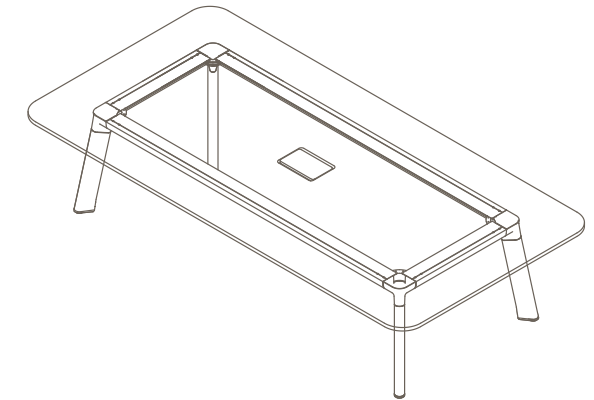
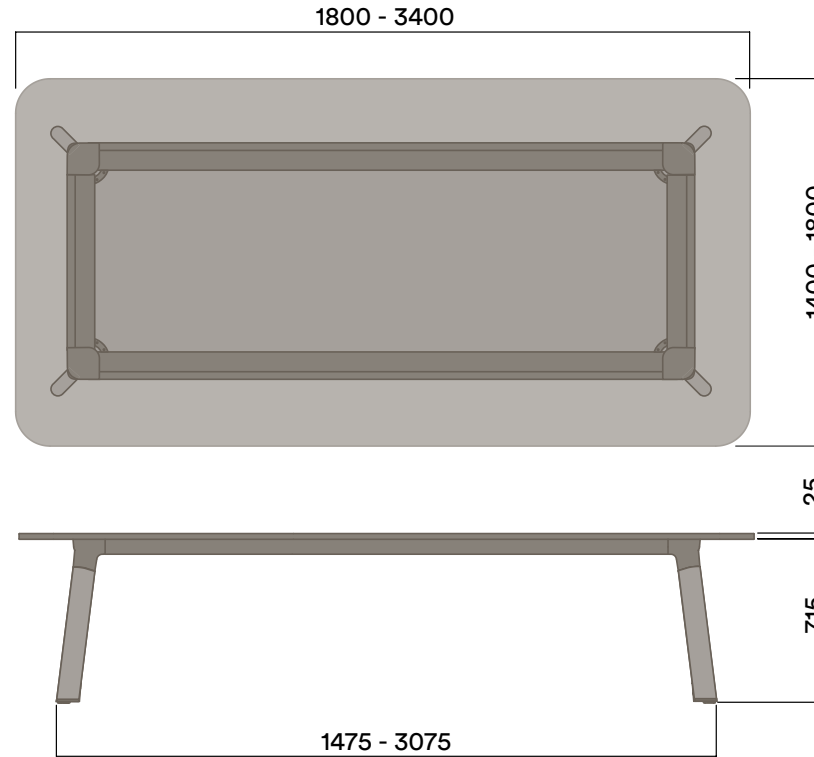
Frame Finish

Aluminium Frame

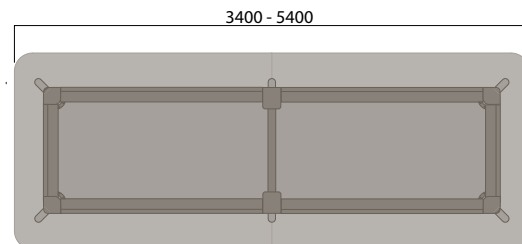
- a. Blanc
- b. Noir
- c. Double Cream
- d. Pink Salt
- e. Nocturnelle
- f. Morello
- g. Scotland Sky
- h. Green Smoke
- i. Moonshine
- j. Byron Blue
- k. Axel

4 Leg Wide

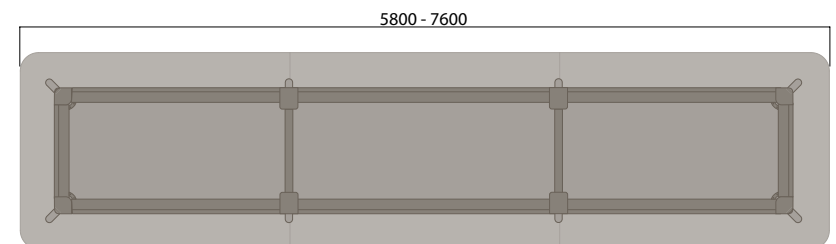
740 (standard height)



6 Leg Wide



8 Leg Wide



Maximum inc. worktop 160kg
 Maximum Point Load 50kg
 Seats 4-22

Tables Features

Materials Information

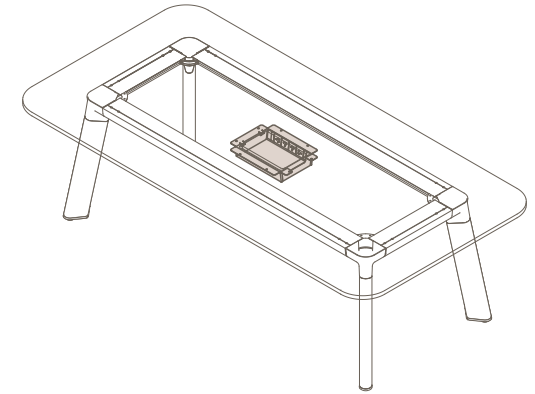
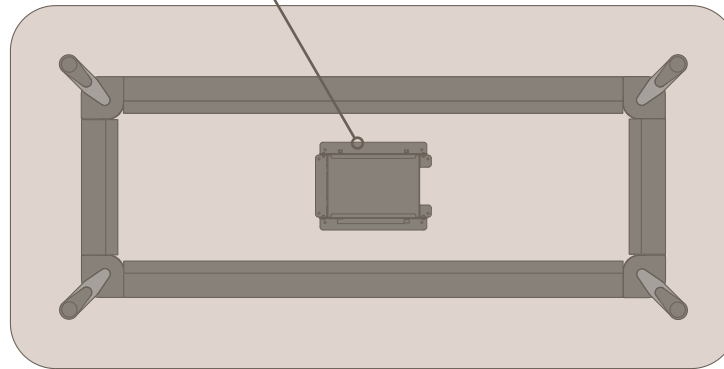
Seamless Powerbox Steel Powerbox Chassis

- a. Black Powdercoat

Cable Management

In-Desk Powerbox

Seamless Powerbox*



Power/Data Options

Option 1:
4x GPO - Type I
(AUS / NZ / CHN)
200mm Data Provision



Option 2:
8x GPO - Type I
(AUS / NZ / CHN)



Option 3:
2x GPO - Type G
(UK / HKG / SGP / MYS)
2x USB Power
200mm Data Provision



Option 4:
4x GPO - Type G
(UK / HKG / SGP / MYS)
4x USB Power



Option 5:
2x GPO - Type F
SHUCKO (EUR)
2x USB Power
200mm Data Provision



Option 6:
4x GPO - Type F
SCHUKO (EUR)
4x USB Power



*Seamless Powerbox requires worktop cut-out and hinged lid. Please contact ThinkingWorks for specifications of worktop cut-out and hinged lid.

Tables Features

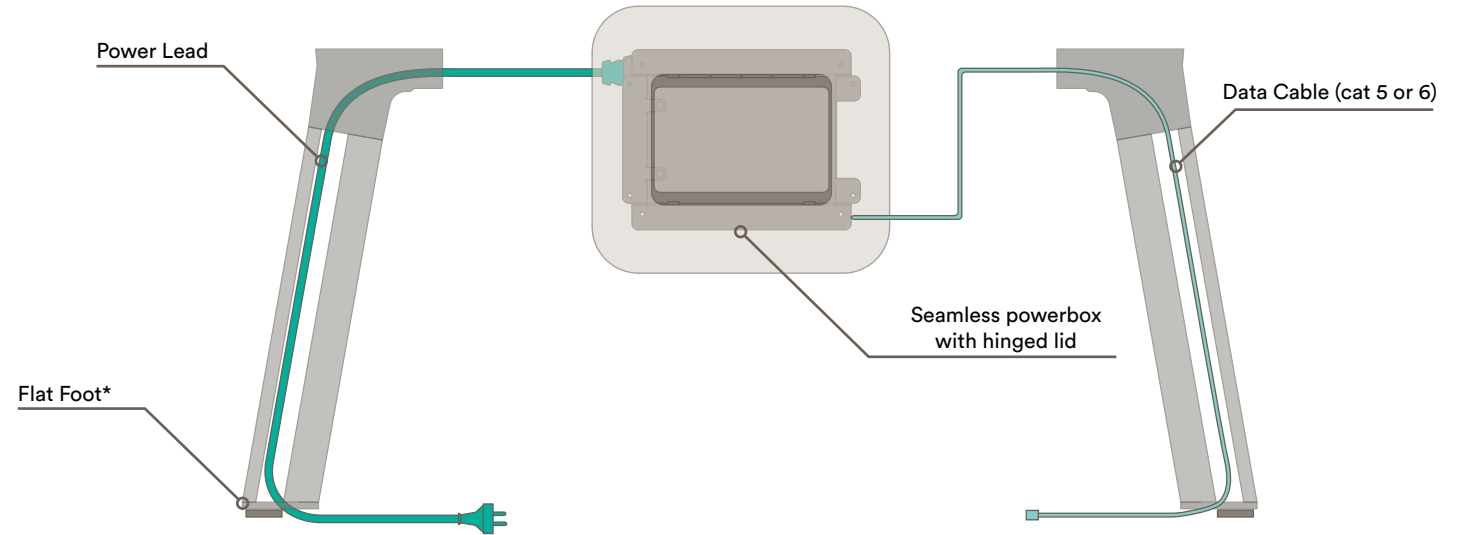
Materials Information

Seamless Powerbox Steel Powerbox Chassis

- a. Black Powdercoat

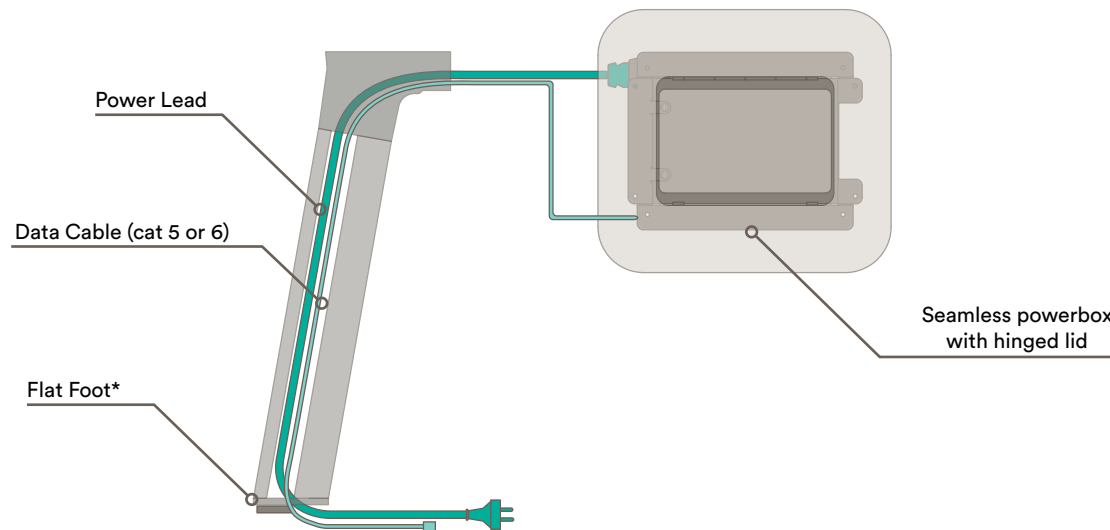
Cable Management

In-Leg Power + Data (Segregated)



Cable Management

In-Leg Power + Data (Unsegregated)



Cable reticulation is possible via a pathway through the timber leg to run power or data cables from Seamless box to floor. 42 x 29mm channel allows for softwiring plugs to be fed through timber leg.

Cable Capacity
Segregated
2x 12mm 20amp Power Cable
or
4x 6mm Cat 5 and 6 Data Cable

Unsegregated
1x 12mm 20amp Power Cable
2x 6mm Cat 5 and 6 Data Cable

*Flat Foot needs to be removed to feed cables and refitted once cables are installed.