

m114

TAIGA

Antoni Arola







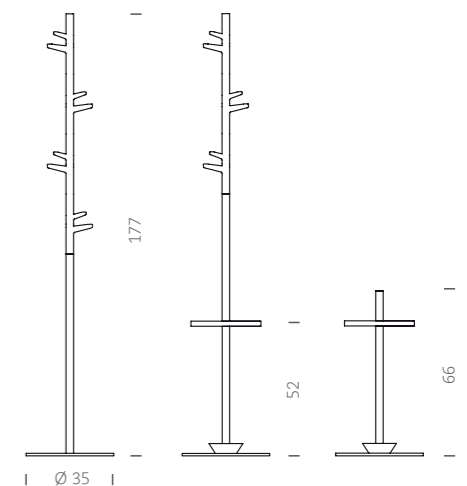
ENG This coat stand is inspired by the organic shapes of Siberia's conifer forest shown in the film *Dersu Uzala*, from the Japanese film director Akira Kurosawa, where the main character mentions the name Taiga when referring to this forest.

ESP Perchero inspirado en formas orgánicas de los bosques de coníferas de Siberia que aparecen en la película *Derzu Uzala* del director de cine japonés Akira Kurosawa, donde el personaje protagonista también llama al bosque con el nombre de Taiga.



CAT Penjador de peu inspirat en les formes orgàniques dels boscos de coníferes de Sibèria que apareixen a la pel·lícula *Dersu Uzala*, del director de cinema japonès Akira Kurosawa, on el personatge protagonista també anomena el bosc amb el nom de Taiga.

FRA Portemanteaux inspiré aux formes organiques des forêts de conifères de Sibérie, qui apparaissent dans le film *Derzu Uzala*, du réalisateur japonais Akira Kurosawa, où le personnage protagoniste fait référence à la forêt avec le nom Taiga.



RAL 7022
Grey anthracite

RAL 6034
Turquoise

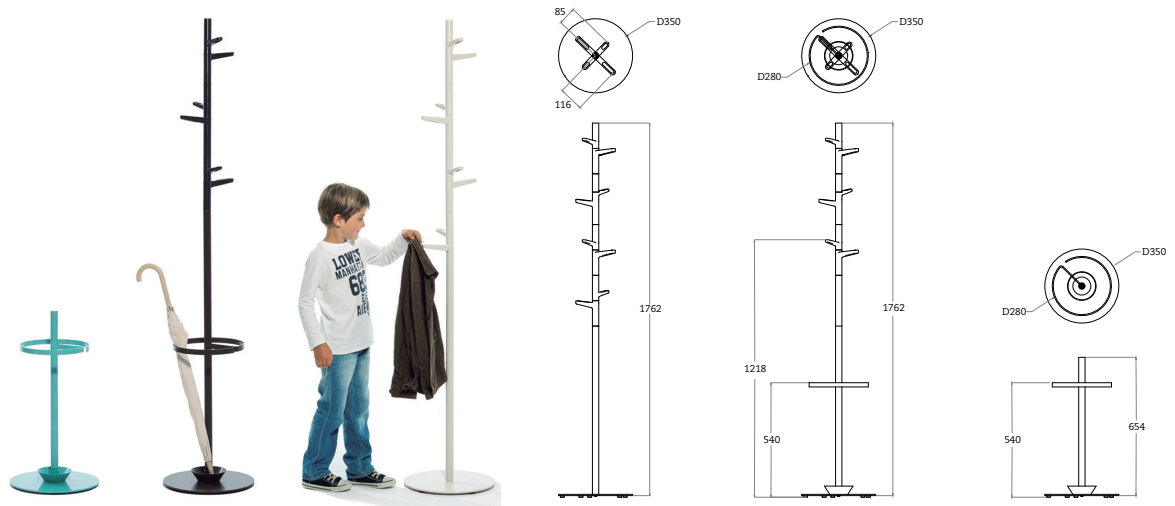
RAL 9002
White

General description

Family of coat racks and umbrella stands made of aluminium tube and high impact polystyrene pieces.

Available in 3 versions: coat rack, umbrella stand-hanger, and umbrella stand.

Finishes: white (RAL 9002), turquoise (RAL 6034) and dark grey (RAL 7022). All metallic pieces are finished with epoxy powder coating, 80 micron, 30% matt.



Materials and finishes

Base

Circular base with 350mm diameter made of steel plate, 6mm thick. Five locations to place ferrules made of polyamide, black colour, are placed on the inner side and separated 8mm from the pavement.

Structure

Central structure made up with 2 circular tubes: bottom tube made of aluminium, 30x2mm diameter; top tube made of steel, 20x1.5mm diameter.

A mechanized piece is placed at each side of the bottom tube in order to prevent its self-rotation, and also to screw the tube to the base and to the other tube.

The top part is covered with a plastic cap finished with the same colour of the other components.

Coat Racks

They are made of high impact polystyrene injection piece. Its design allows fitting one piece to the other, concealing the top tube.

Thanks to its shape and inclination, different types of clothes, accessories and hangers can be hung on it.

The components are fixed to the tube by means of a screw and a washer.

Umbrella stand-hanger

This version has a rounded piece 540mm above the pavement enabling to place umbrellas. It is made of steel banister, 20x5mm, with 280mm diameter.

A concave piece at the base of the coat rack or the umbrella stand, made of high impact polystyrene and finished with the same colour of the other components, allows collecting the water dripping from the umbrellas.

Packaging

Coat Rack

Box base and coat racks

Weight: 6,5kg
Dimensions: 43,5x43,5x12cm

Box Structure

Weight: 1,5kg
Dimensions: 180x6cm

Coat rack and umbrella stand-hanger

Box base and coat racks

Weight: 7kg
Dimensions: 43,5x43,5x12cm

Box Structure

Weight: 2kg
Dimensions: 180x6cm

Umbrella stand

Weight: 7,3kg
Dimensions: 43,5x43,5x12cm

Certifications

Finished panted: ISO 9001:2000 / ISO 14001:2004
