

TRAME

KENETHCOBONPUE



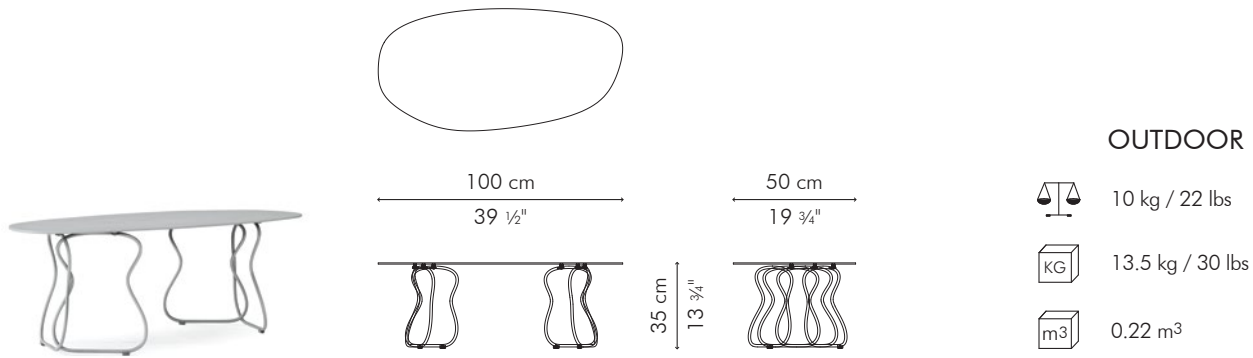
COFFEE TABLE
END TABLE
STOOL

designed by Federica Capitani

☼ fiberglass, steel

☼ polyethylen, nylon, steel

COFFEE TABLE



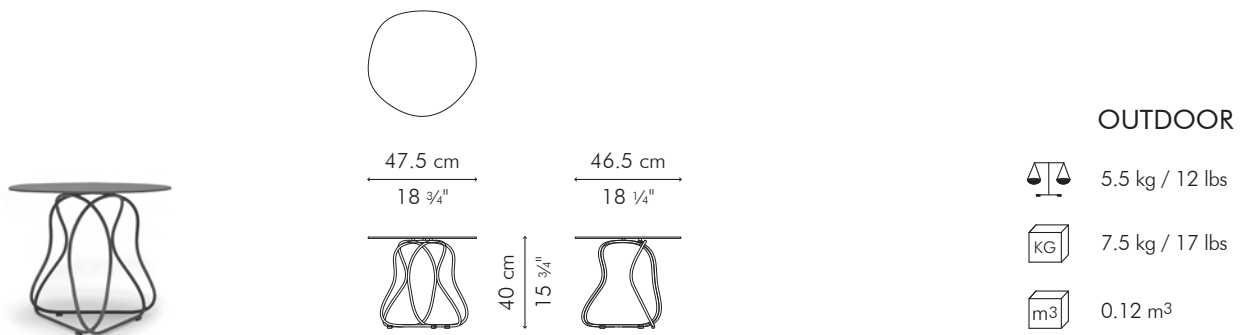
OUTDOOR fiberglass, steel

Dolphin Gray TCTM-DG-3913OD

Faery Blue TCTM-FB-3913OD

Stone Gray TCTM-SG-3913OD

END TABLE



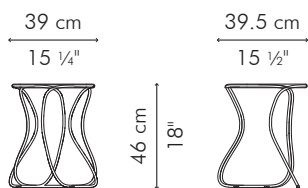
OUTDOOR fiberglass, steel

Dolphin Gray TETM-DG-1815OD

Faery Blue TETM-FB-1815OD

Stone Gray TETM-SG-1815OD

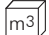
STOOL



OUTDOOR

 3 kg / 7 lbs

 4 kg / 9 lbs

 0.08 m³

OUTDOOR polyethylene, nylon, steel



EBETM-MCSM-1518OD