

CABARET

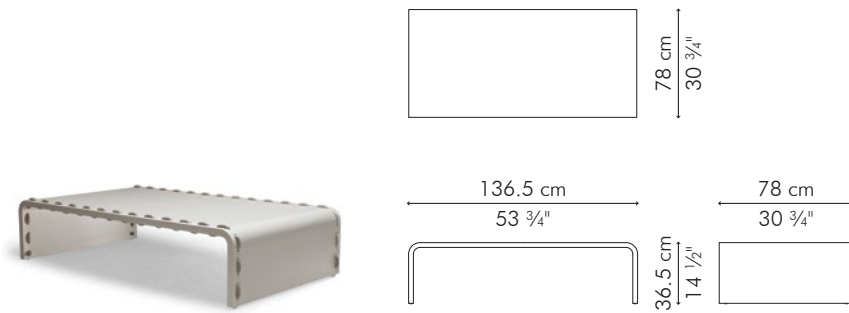
KENETHCOBONPUE



COFFEE TABLE
END TABLE

🏠 fiberglass reinforced polymer, polyester fabric, urethane foam
⚙️ fiberglass reinforced polymer, acrylic fabric, reticulated foam

COFFEE TABLE, regular



INDOOR



20 kg / 44 lbs



26.5 kg / 58 lbs



0.49 m³

OUTDOOR

20 kg / 44 lbs

26.5 kg / 58 lbs

0.49 m³

INDOOR fiberglass reinforced polymer, polyester fabric, urethane foam

OUTDOOR fiberglass reinforced polymer, acrylic fabric, reticulated foam

Charcoal

TCCB-CG-5214ID

Pale Gray

TCCB-PG-5214OD

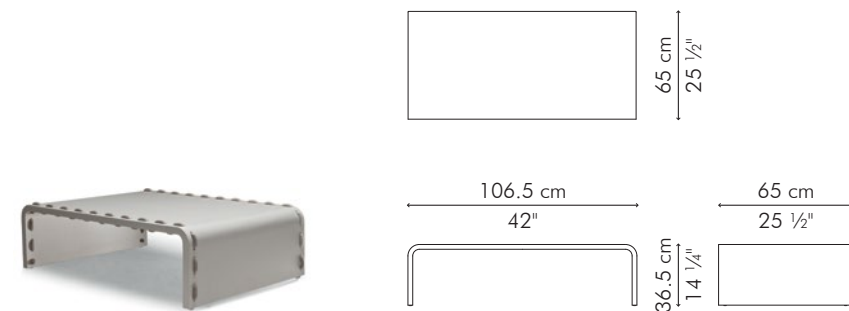
Plum

TCCB-P-5214ID

Sand

TCCB-SN-5214ID

COFFEE TABLE, small



INDOOR



18 kg / 40 lbs



24.5 kg / 54 lbs



0.30 m³

OUTDOOR

18 kg / 40 lbs

24.5 kg / 54 lbs

0.30 m³

INDOOR fiberglass reinforced polymer, polyester fabric, urethane foam

OUTDOOR fiberglass reinforced polymer, acrylic fabric, reticulated foam

Charcoal

TCCB-CG-4214ID

Pale Gray

TCCB-PG-4214OD

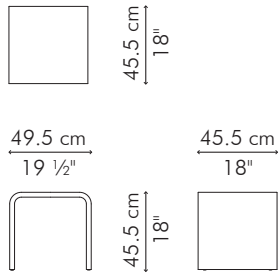
Plum

TCCB-P-4214ID

Sand

TCCB-SN-4214ID

END TABLE



INDOOR



8 kg / 18 lbs



12 kg / 26 lbs



0.14 m³

OUTDOOR

8 kg / 18 lbs

12 kg / 26 lbs

0.14 m³

INDOOR fiberglass reinforced polymer, polyester fabric, urethane foam

OUTDOOR fiberglass reinforced polymer, acrylic fabric, reticulated foam

Charcoal

TECB-CG-1817ID

Pale Gray

TECB-PG-1817OD

Plum

TECB-P-1817ID

Sand

TECB-SN-1817ID